

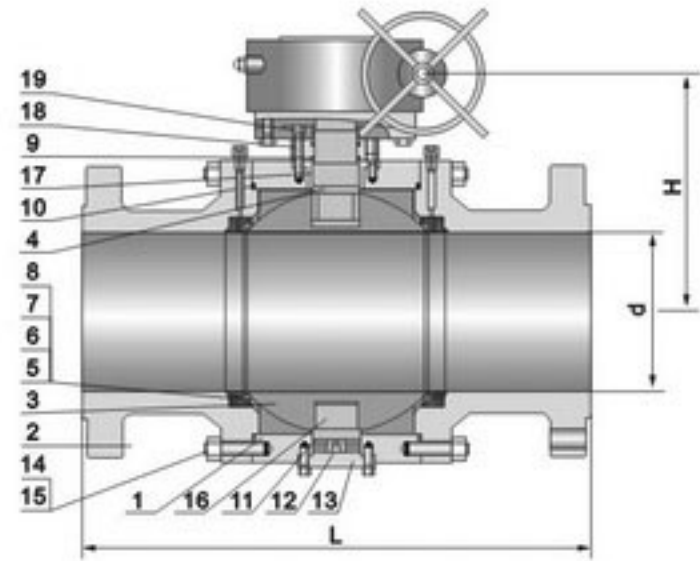
TRUNNION MOUNTED FORGED STEEL BALL VALVE 600LB

Applicable standards:

STEEL BALL VALVES, API 608/API 6D
 STEEL BALL VALVES, ISO 14313
 FIRE STATIC, API 607
 ANTI STATIC, API 608
 STEEL VALVES, ASME B16.34
 FACE TO FACE, ASME B16.10
 END FLANGES, ASME B16.5
 BURRWELDING ENDS, ASME B16.25
 INSPECTION AND TEST, API 598/API 6D

Design description

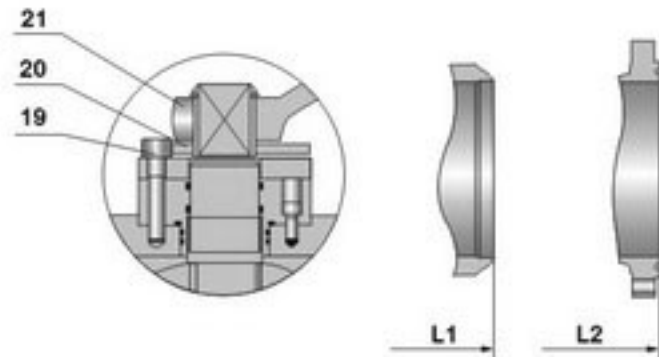
FULL PORT DESIGN
 BB, BOLTED BONNET, SPLIT BODY
 THREE PIECE BODY FOR 12" & ABOVE
 TRUNNION MOUNTED BALL TYPE
 BLOW-OUT PROOF STEM
 FORE DURABLE CONSTRUCTION
 ANTI STATIC DEVICE
 STOPPER DEVICE
 ISO 5211 MOUNTING PAD
 FLANGED OR BUTTWELDING ENDS
 AVAILABLE WITH WG OPERATOR



Materials of parts

NO	Part Name	ASTM Material		
		Carbon Steel	18Cr -9Ni -2Mo	Carbon Steel
1	Body	A105	A182-F316	A350-LF2
2	Bonnet	A105	A182-F316	A350-LF2
3	Ball	A182-F304 ¹⁾	A182-F316	A182-F304 ¹⁾
4	Stem	A276-304	A276-316	A276-304
5	Seat	A105+ENP	A182-F316	A350-LF2+ENP
6	Seat Insert	Glass Filled PTFE		
7	Seat Spring	A313-304	Inconel X-750	A313-304
8	Seat O - Ring	NBR	Viton	Viton
9	Stem O-Ring	NBR	Viton	Viton
10	Bonnet Gasket	Graphite+304 ²⁾	Graphite+316 ²⁾	Graphite+304 ²⁾
11	Bonnet O-Ring	NBR	Viton	Viton
12	Antistatic Spring	A313-304	A313-316	A313-304
13	Grounding Plunger	A182-F304	A182-F316	A182-F304
14	Bonnet Stud	A193-B7	A193-B8	A320-L7
15	Bonnet Stud Nut	A194-2H	A194-8	A194-4
16	Trunnion	A276-304	A276-316	A276-304
17	Trunnion Bearing	304+PTFF	316+PTFE	304+PTFE
18	Gland	A105	A182-F316	A350-LF2
19	Gland Bolt	A193-B7	A193-B8	A193-87
20	Stop Plate	Carbon Steel	Carbon Steel+Zn	Carbon Steel
21	Handle	Carbon Steel		

Note: 1) .A105+ENP optional.
 2) .Spiral wound construction.



Dimensions data

NPS	2	2½	3	4	6	8	10	12	14	16	18	20	24	26	28	In
DN	50	65	80	100	150	200	250	300	350	400	450	500	600	650	700	mm

ANSI Class 600Lb

L (RF)	11.50	13.00	14.00	17.00	22.00	26.00	31.00	33.00	35.00	39.00	43.00	47.00	55.00	57.00	61.00	in
	292	330	356	432	559	660	787	838	889	991	1092	1194	1397	1448	1549	mm
L1 (BW)	11.62	13.12	14.12	17.12	22.12	26.12	31.12	33.12	35.12	39.12	43.12	47.25	55.38	57.50	61.50	in
	295	333	359	435	562	664	791	841	892	994	1095	1200	1407	1461	1562	mm
H	6.50	7.00	7.88	11.00	12.25	14.00	16.12	18.00	19.25	21.00	24.88	25.62	30.12	31.88	34.62	in
	165	180	200	280	310	355	410	455	490	535	630	650	765	810	880	mm
(d)	49	62	74	100	150	201	252	303	334	385	436	487	589	633	684	mm
W	16	24	24	24	32	32	32	32	32	32	40	40	40	40	40	in
	400	600	600	600	800	800	800	800	800	800	1000	1000	1000	1000	1000	mm
WT (kg)	34	53	65	125	245	505	640	910	1380	2250	3400	3850	4900	6700	8300	RF
	27	43	49	95	188	418	495	740	1185	1960	3050	3406	4275	6025	7590	BW