

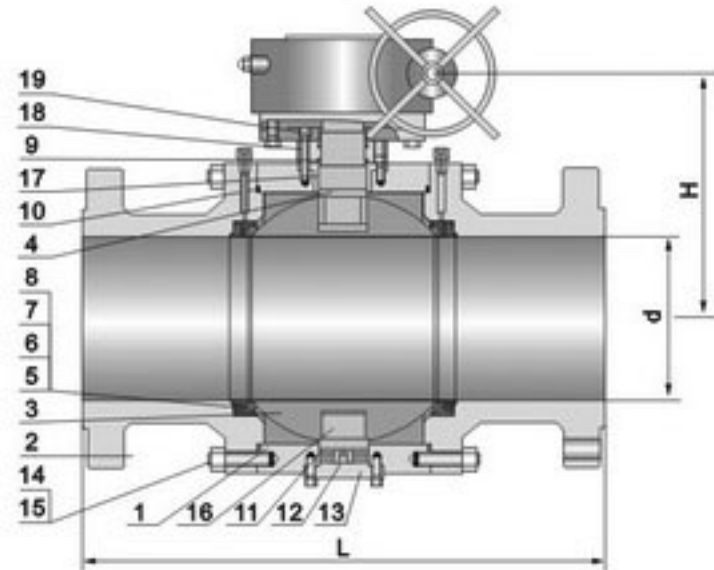
## TRUNNION MOUNTED FORGED STEEL BALL VALVE 150LB

### Applicable standards:

STEEL BALL VALVES, API 608/API 6D  
 STEEL BALL VALVES, ISO 14313  
 FIRE STATIC, API 607  
 ANTI STATIC, API 608  
 STEEL VALVES, ASME B16.34  
 FACE TO FACE, ASME B16.10  
 END FLANGES, ASME B16.5  
 BURRWELDING ENDS, ASME B16.25  
 INSPECTION AND TEST, API 598/API 6D

### Design description

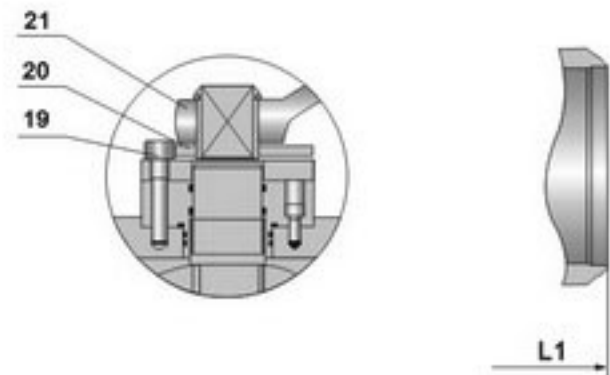
FULL PORT DESIGN  
 BB, BOLTED BONNET, SPLIT BODY  
 THREE PIECE BODY FOR 12" & ABOVE  
 TRUNNION MOUNTED BALL TYPE  
 BLOW-OUT PROOF STEM  
 MORE DURABLE CONSTRUCTION  
 ANTI STATIC DEVICE  
 STOPPER DEVICE  
 ISO 5211 MOUNTING PAD  
 FLANGED OR BUTTWELDING ENDS  
 AVAILABLE WITH WG OPERATOR



### Materials of parts

NO	Part Name	ASTM Material		
		Carbon Steel	18Cr -9Ni -2Mo	Carbon Steel
1	Body	A105	A182-F316	A350-LF2
2	Bonnet	A105	A182-F316	A350-LF2
3	Ball	A182-F304 <sup>1)</sup>	A182-F316	A182-F304 <sup>1)</sup>
4	Stem	A276-304	A276-316	A276-304
5	Seat	A105+ENP	A182-F316	A350-LF2+ENP
6	Seat Insert	Glass Filled PTFE		
7	Seat Spring	A313-304	Inconel X-750	A313-304
8	Seat O - Ring	NBR	Viton	Viton
9	Stem O-Ring	NBR	Viton	Viton
10	Bonnet Gasket	Graphite+304 <sup>2)</sup>	Graphite+316 <sup>2)</sup>	Graphite+304 <sup>2)</sup>
11	Bonnet O-Ring	NBR	Viton	Viton
12	Antistatic Spring	A313-304	A313-316	A313-304
13	Grounding Plunger	A182-F304	A182-F316	A182-F304
14	Bonnet Stud	A193-B7	A193-B8	A320-L7
15	Bonnet Stud Nut	A194-2H	A194-8	A194-4
16	Trunnion	A276-304	A276-316	A276-304
17	Trunnion Bearing	304+PTFF	316+PTFE	304+PTFE
18	Gland	A105	A182-F316	A350-LF2
19	Gland Bolt	A193-B7	A193-B8	A193-87
20	Stop Plate	Carbon Steel	Carbon Steel+Zn	Carbon Steel
21	Handle	Carbon Steel		

Note: 1) .A105+ENP optional.  
 2) .Spiral wound construction.



### Dimensions data

NPS	2	2 1/2	3	4	6	8	10	12	14	16	18	20	24	26	28	30	32	36	in
DN	50	65	80	100	150	200	250	300	350	400	450	500	600	650	700	750	800	900	mm

### ANSI Class 150Lb

L (RF)	7.00	7.50	8.00	9.00	15.50	18.00	21.00	24.00	27.00	30.00	34.00	36.00	42.00	45.00	49.00	51.00	54.00	60.00	in
	178	190	203	229	394	457	533	610	686	762	864	914	1067	1143	1245	1295	1372	1524	mm
L1 (BW)	8.50	9.50	11.12	12.00	18.00	20.50	22.00	25.00	30.00	33.00	36.00	39.00	45.00	49.00	53.00	55.00	60.00	68.00	in
	216	241	283	305	457	521	559	635	762	838	914	991	1143	1245	1346	1397	1524	1727	mm
H	4.00	6.00	7.00	9.25	9.88	11.00	12.62	15.38	16.50	21.88	23.62	25.00	28.00	29.50	31.50	34.00	36.00	38.50	in
	120	150	180	235	250	280	320	390	420	555	600	635	710	750	800	865	915	980	mm
(d)	49	62	74	100	150	201	252	303	334	385	436	487	589	633	684	735	779	874	mm
W	16	16	24	24	24	24	32	32	32	32	32	32	32	40	40	40	40	40	in
	400	400	600	600	600	600	800	800	800	800	800	800	800	1000	1000	1000	1000	1000	mm
WT (kg)	28	35	55	80	190	290	445	570	780	1520	2300	2500	3950	4890	6300	7100	8950	13500	RF
	25	28	49	71	182	277	423	553	747	1481	2266	2460	3904	4939	6362	8149	9000	13570	BW