

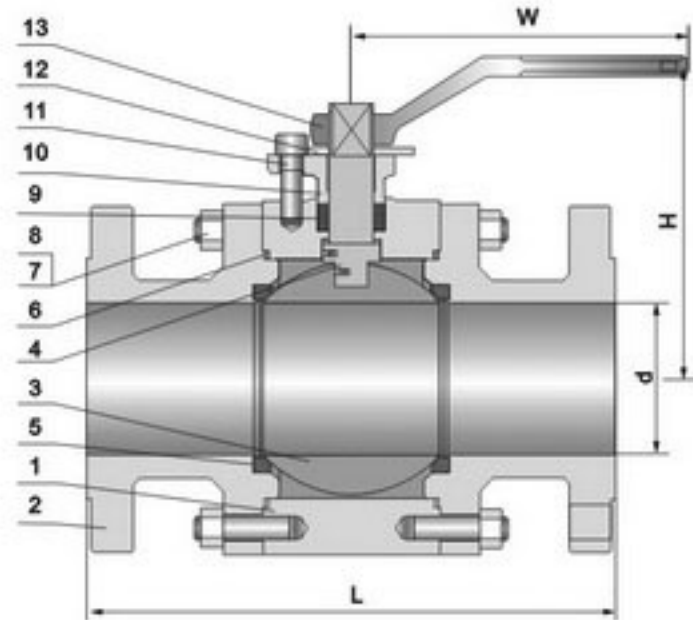
FLOATING FORGED STEEL BALL VALVE 600LB

Applicable standards:

STEEL BALL VALVES, API 608/API 6D
 STEEL BALL VALVES, ISO 10434/ISO 14313
 FIRE DURABLE, API 607
 ANTI STATIC, API 608
 STEEL VALVES, ASME B 16.34
 FACE TO FACE, ASME B 16.10
 END FLANGES, ASME B 16.5
 BUTTWELDING ENDS, ASME B 16.25
 INSPECTION AND TEST, API 598/API 6D

Design description:

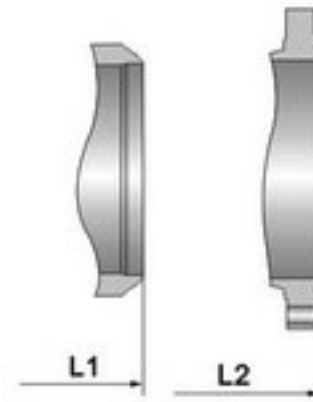
FULL PORT DESIGN
 BB, BOLTED BONNET, SPLIT BODY
 FLOATING BALL TYPE
 BLOW-OUT PROOF STEM
 FIRE DURABLE CONSTRUCTION
 ANTI STATIC DEVICE
 STOPPER DEVICE
 ISO5211 MOUNTING PAD
 FLANGED OR BUTT WELDING ENDS
 AVAILABLE WITH BG OPERATOR



Materials of parts

No	Part Name	ASTM Material		
		Carbon Steel	18Cr-9Ni-2Mo	Carbon Steel
1	Body	A216-WCB	A351-CF8M	A352-LCB
2	Bonnet	A216-WCB	A351-CF8M	A352-LCB
3	Ball	A182-F304 ¹⁾	A182-F316	A182-F304 ¹⁾
4	Stem	A276-304	A276-316	A276-304
5	Seat Ring	R.PTFE		
6	Bonnet Gasket	Graphite+304 ²⁾	PTFE	Graphite+304 ²⁾
7	Bonnet Stud	A193-B7	A193-B8	A320-L7
8	Bonnet Stud Nut	A194-2H	A194-8	A194-4
9	Packing	PTFE		
10	Gland	A105	A182-F316	A350-LF2
11	Gland Bolt	A193-B7	A193-B8	A193-B7
12	Stop Plate	Carbon Steel	Carbon Steel+Zn	Carbon Steel
13	Handle	Carbon Steel		

Note: 1). A105+ENP optional
 2). Spiral wound construction.



Dimensions data

NPS DN	1/2 15	3/4 20	1 25	1 1/2 40	2 50	2 1/2 40	3 80	4 100	6 150	in mm
ANSI Class 600Lb										
L (RF)	6.50	7.50	8.50	9.50	11.50	13.00	14.00	17.00	22.00	in
	165	190	216	241	292	330	356	432	559	mm
L1 (BW)	-	-	-	-	11.62	13.12	14.12	17.12	22.12	in
	-	-	-	-	295	333	359	435	562	mm
H	2.25	2.25	2.62	3.50	4.12	6.25	7.50	9.75	10.38	in
	58	58	68	89	105	158	190	247	262	mm
(d)	13	19	25	32	49	62	74	100	150	mm
W	8	12	12	16	16	24	24	24	32	in
	200	300	300	400	400	600	600	600	800	mm
WT (kg)	4.5	5.5	8	12.5	18	27	35	61	172	RF
	3.8	4.1	5.6	7	12	18	23	43	139	BW