

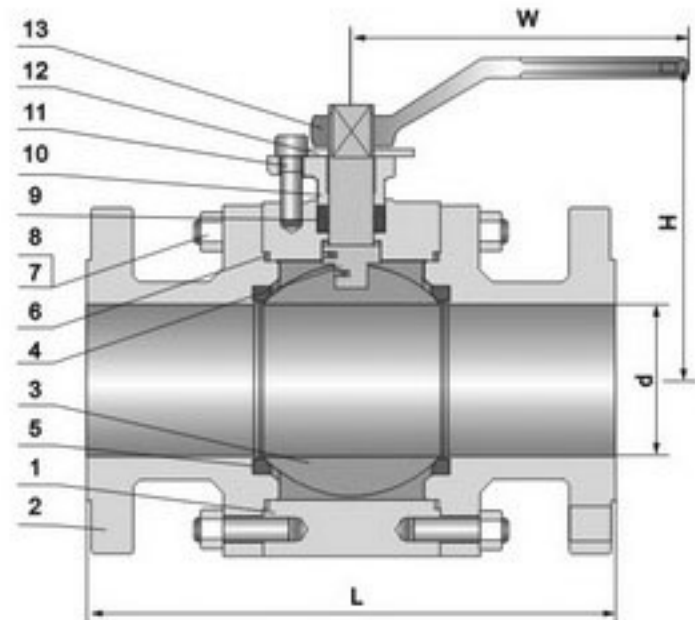
FLOATING FORGED STEEL BALL VALVE 150LB

Applicable standards:

STEEL BALL VALVES, API 608/API 6D
 STEEL BALL VALVES, ISO 10434/ISO 14313
 FIRE DURABLE, API 607
 ANTI STATIC, API 608
 STEEL VALVES, ASME B 16.34
 FACE TO FACE, ASME B 16.10
 END FLANGES, ASME B 16.5
 BUTTWELDING ENDS, ASME B 16.25
 INSPECTION AND TEST, API 598/API 6D

Design description:

FULL PORT DESIGN
 BB, BOLTED BONNET, SPLIT BODY
 FLOATING BALL TYPE
 BLOW-OUT PROOF STEM
 FIRE DURABLE CONSTRUCTION
 ANTI STATIC DEVICE
 STOPPER DEVICE
 ISO5211 MOUNTING PAD
 FLANGED OR BUTT WELDING ENDS
 AVAILABLE WITH BG OPERATOR



Materials of parts

| No | Part Name | ASTM Material | | |
|----|-----------------|----------------------------|-----------------|----------------------------|
| | | Carbon Steel | 18Cr-9Ni-2Mo | Carbon Steel |
| 1 | Body | A216-WCB | A351-CF8M | A352-LCB |
| 2 | Bonnet | A216-WCB | A351-CF8M | A352-LCB |
| 3 | Ball | A182-F304 ¹⁾ | A182-F316 | A182-F304 ¹⁾ |
| 4 | Stem | A276-304 | A276-316 | A276-304 |
| 5 | Seat Ring | R.PTFE | | |
| 6 | Bonnet Gasket | Graphite+304 ²⁾ | PTFE | Graphite+304 ²⁾ |
| 7 | Bonnet Stud | A193-B7 | A193-B8 | A320-L7 |
| 8 | Bonnet Stud Nut | A194-2H | A194-8 | A194-4 |
| 9 | Packing | PTFE | | |
| 10 | Gland | A105 | A182-F316 | A350-LF2 |
| 11 | Gland Bolt | A193-B7 | A193-B8 | A193-B7 |
| 12 | Stop Plate | Carbon Steel | Carbon Steel+Zn | Carbon Steel |
| 13 | Handle | Carbon Steel | | |

Note: 1). A105+ENP optional
 2). Spiral wound construction.



Dimensions data

| NPS DN | 1/2 15 | 3/4 20 | 1 25 | 1 1/2 40 | 2 50 | 2 1/2 40 | 3 80 | 4 100 | 6 150 | 8 200 | 10 250 | 12 300 | in mm |
|------------------------|-------------|-------------|-------------|-------------|--------------|-------------|--------------|--------------|--------------|--------------|--------------|--------------|----------|
| ANSI Class150Lb | | | | | | | | | | | | | |
| L (RF) | 4.25 108 | 4.62 117 | 5.00 127 | 6.50 165 | 7.00 178 | 7.50 190 | 8.00 203 | 9.00 229 | 15.50 394 | 18.00 457 | 21.00 533 | 24.00 610 | in mm |
| L1 (BW) | 5.50 140 | 6.00 152 | 6.50 165 | 7.50 190 | 8.50 216 | 9.50 241 | 11.12 283 | 12.00 305 | 18.00 457 | 20.50 521 | 22.00 559 | 25.00 635 | in mm |
| H | 2.12 55 | 2.12 55 | 2.50 65 | 3.38 85 | 4.00 100 | 6.00 150 | 7.00 180 | 9.25 235 | 9.88 250 | 11.00 280 | 12.62 320 | 15.38 390 | in mm |
| (d) | 13 | 19 | 25 | 32 | 49 | 62 | 74 | 100 | 150 | 201 | 252 | 303 | mm |
| W | 8 200 | 8 200 | 12 300 | 12 300 | 16 400 | 16 400 | 24 600 | 24 600 | 24 600 | 24 600 | 32 800 | 32 800 | in mm |
| WT (kg) | 3.1 2.6 | 4.1 3.9 | 6 5.2 | 9.5 8.7 | 12.8 11.8 | 20 19 | 26 28 | 45 47 | 126 131 | 216 226 | 270 295 | 378 393 | RF BW |