

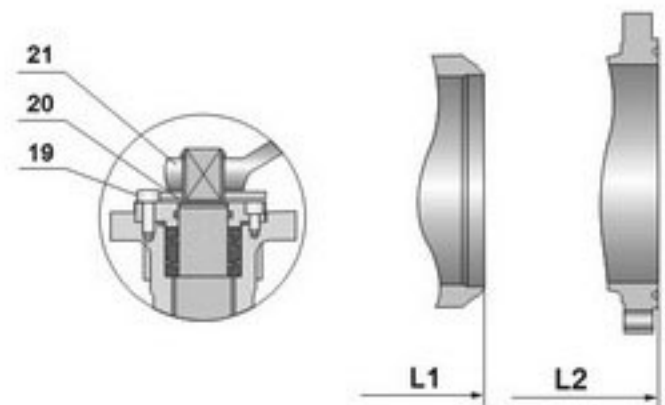
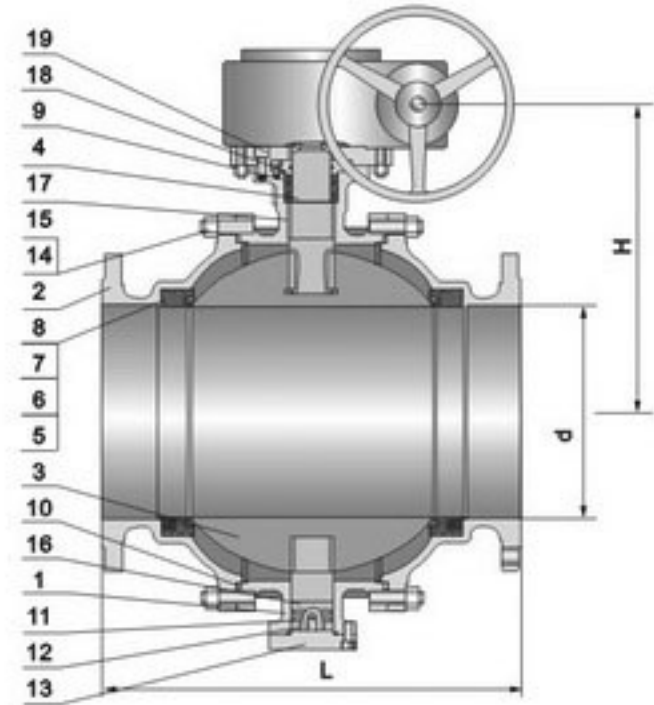
## TRUNNION MOUNTED CAST STEEL BALL VALVE 1500LB/2500LB

### Applicable standards:

STEEL BALL VALVES, API 608/API 6D  
 STEEL BALL VALVES, ISO 10434/ISO 14313  
 FIRE DURABLE, API 607  
 ANTI STATIC, API 608  
 STEEL VALVES, ASME B 16.34  
 FACE TO FACE, ASME B 16.10  
 END FLANGES, ASME B 16.5  
 BUTTWELDING ENDS, ASME B 16.25  
 INSPECTION AND TEST, API 598/API 6D

### Design description:

FULL PORT DESIGN  
 BB, BOLTED BONNET, SPLIT BODY  
 THREE PIECE BODY FOR 12" & ABOVE  
 TRUNNION MOUNTED BALL TYPE  
 BLOW-OUT PROOF STEM  
 FIRE DURABLE CONSTRUCTION  
 ANTI STATIC DEVICE  
 STOPPER DEVICE  
 ISO5211 MOUNTING PAD  
 FLANGED OR BUTT WELDING ENDS  
 AVAILABLE WITH BG OPERATOR



### Materials of parts

No	Part Name	ASTM Material		
		Carbon Steel	18Cr-9Ni-2Mo	Carbon Steel
1	Body	A216-WCB	A351-CF8M	A352-LCB
2	Bonnet	A216-WCB	A351-CF8M	A352-LCB
3	Ball	A182-F304 <sup>1)</sup>	A182-F316	A182-F304 <sup>1)</sup>
4	Stem	A276-304	A276-316	A276-304
5	Seat	A105+ENP	A182-F316	A350-LF2+ENP
6	Seat Insert	Glass Filled PTFE		
7	Seat Spring	A313-304	Inconel X-750	A313-304
8	Seat O-Ring	NBR	Viton	Viton
9	Stem O-Ring	NBR	Viton	Viton
10	Bonnet Gasket	Graphite+304 <sup>2)</sup>	Graphite+316 <sup>2)</sup>	Graphite+304 <sup>2)</sup>
11	Bonnet O-Ring	NBR	Viton	Viton
12	Antistatic Spring	A313-304	A313-316	A313-304
13	Grounding Plunger	A216-WCB	A182-F316	A182-F304
14	Bonnet Stud	A193-B7	A193-B8	A320-L7
15	Bonnet Stud Nut	A194-2H	A194-8	A194-4
16	Trunnion	A276-304	A276-316	A276-304
17	Trunnion Bearing	304+PTFE	316+PTFE	304+PTFE
18	Gland Flange	A216-WCB	A351-CF8M	A352-LCB
19	Gland Bolt	A193-B7	A193-B8	A193-B7
20	Stop Plate	Carbon Steel	Carbon Steel+Zn	Carbon Steel
21	Handle	Carbon Steel		

Note: 1). A105+ENP optional  
 2). Spiral wound construction.

### Dimensions data

NPS	2	2½	3	4	6	8	10	12	14	16	2	2½	3	4	6	8	10	12	in
DN	50	65	80	100	150	200	250	300	350	400	50	65	80	100	150	200	250	300	mm
ANSI Class 1500Lb											ANSI Class 2500Lb								
LL1 (RF)/(BW)	14.50	16.50	18.50	21.50	27.75	32.75	39.00	44.50	49.50	54.50	17.75	20.00	22.75	26.50	36.00	40.25	50.00	56.00	in
	368	419	470	546	705	832	991	1130	1257	1384	451	508	578	673	914	1022	1270	1422	mm
L2 (RTJ)	14.62	16.62	18.62	21.62	28.00	33.12	39.38	45.12	50.25	55.38	17.88	21.25	23.00	26.88	36.50	40.88	50.88	56.88	in
	371	422	473	549	711	841	1000	1146	1276	1407	454	540	584	683	927	1038	1292	1445	mm
H	11.25	12.00	13.25	20.00	33.50	39.38	41.12	49.38	50.00	58.50	12.00	12.88	14.25	21.25	35.88	42.12	44.00	53.00	in
	285	306	338	506	852	1000	1045	1255	1270	1485	304	327	362	540	911	1070	1120	1345	mm
(d)	49	62	74	100	144	192	239	287	315	360	42	52	62	87	131	179	223	265	mm
W	20	20	24	24	24	32	32	32	32	32	20	24	24	24	32	32	32	32	in
	500	500	600	600	600	800	800	800	800	800	500	600	600	600	800	800	800	800	mm
WT (kg)	49	67	106	153	268	540	1020	1475	1885	2455	55	76	120	173	302	612	1150	1665	RF/RTJ
	33	44	73	87	145	345	685	1050	1385	1735	41	55	91	110	182	430	855	1315	BW