

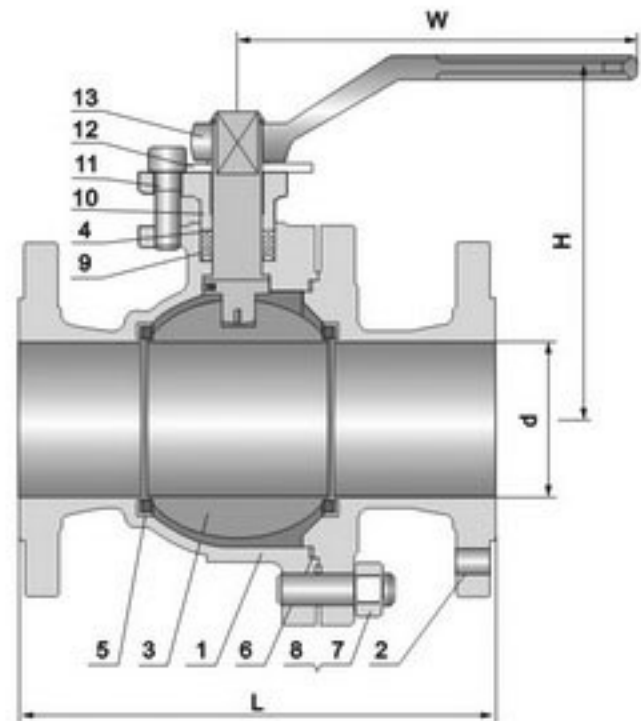
## FLOATING CAST STEEL BALL VALVE 600LB

### Applicable standards:

STEEL BALL VALVES, API 608/API 6D  
 STEEL BALL VALVES, ISO 10434/ISO 14313  
 FIRE DURABLE, API 607  
 ANTI STATIC, API 608  
 STEEL VALVES, ASME B 16.34  
 FACE TO FACE, ASME B 16.10  
 END FLANGES, ASME B 16.5  
 BUTTWELDING ENDS, ASME B 16.25  
 INSPECTION AND TEST, API 598/API 6D

### Design description:

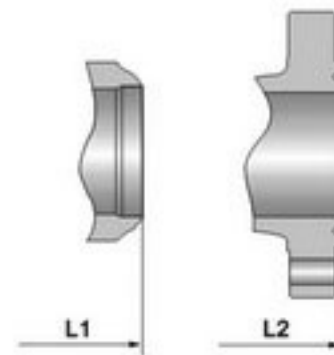
FULL PORT DESIGN  
 BB, BOLTED BONNET, SPLIT BODY  
 FLOATING BALL TYPE  
 BLOW-OUT PROOF STEM  
 FIRE DURABLE CONSTRUCTION  
 ANTI STATIC DEVICE  
 STOPPER DEVICE  
 ISO5211 MOUNTING PAD  
 FLANGED OR BUTT WELDING ENDS  
 AVAILABLE WITH BG OPERATOR



### Materials of parts

No	Part Name	ASTM Material		
		Carbon Steel	18Cr-9Ni-2Mo	Carbon Steel
1	Body	A216-WCB	A351-CF8M	A352-LCB
2	Bonnet	A216-WCB	A351-CF8M	A352-LCB
3	Ball	A182-F304 <sup>1)</sup>	A182-F316	A182-F304 <sup>1)</sup>
4	Stem	A276-304	A276-316	A276-304
5	Seat Ring	R.PTFE		
6	Bonnet Gasket	Graphite+304 <sup>2)</sup>	PTFE	Graphite+304 <sup>2)</sup>
7	Bonnet Stud	A193-B7	A193-B8	A320-L7
8	Bonnet Stud Nut	A194-2H	A194-8	A194-4
9	Packing	PTFE		
10	Gland Flange	A216-WCB	A351-CF8M	A352-LCB
11	Gland Bolt	A193-B7	A193-B8	A193-B7
12	Stop Plate	Carbon Steel	Carbon Steel+Zn	Carbon Steel
13	Handle	Carbon Steel		

Note: 1). A105+ENP optional  
 2). Spiral wound construction.



### Dimensions data

NPS DN	1/2 15	3/4 20	1 25	1 1/2 40	2 50	2 1/2 40	3 80	4 100	6 150	in mm
<b>ANSI Class 600Lb</b>										
L (RF)	6.50 165	7.50 190	8.50 216	9.50 241	11.50 292	13.00 330	14.00 356	17.00 432	22.00 559	in mm
L1 (BW)	- -	- -	- -	- -	11.62 295	13.12 333	14.12 359	17.12 435	22.12 562	in mm
H	2.38 61.5	2.38 61.5	3.00 78	4.00 101	4.75 120	6.88 174	8.38 212	9.25 234	11.38 289	in mm
(d)	13	19	25	38	49	62	74	100	150	mm
W	5 130	6 160	8 200	14 350	16 400	20 500	24 600	24 600	32 800	in mm
WT (kg)	3.3 2.6	4.5 3.1	7.2 4.8	13.5 8	19 13	31 22	39 27	71 53	153 120	RF BW