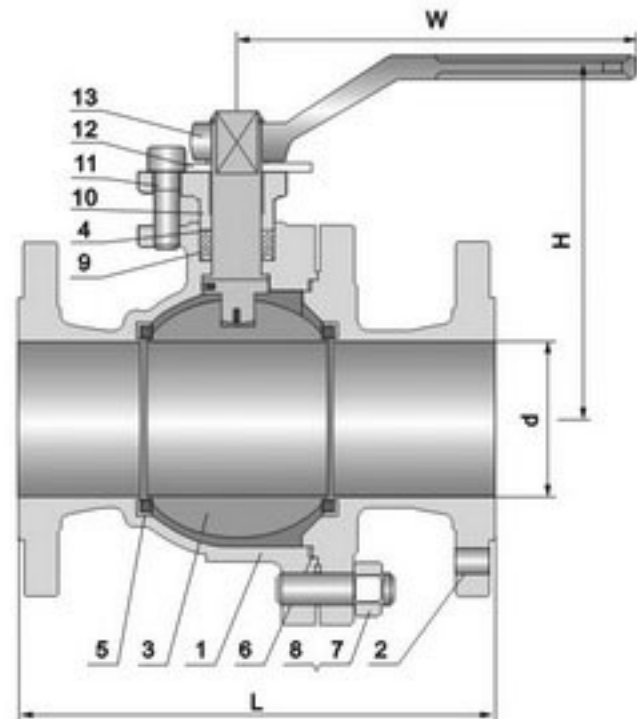


Applicable standards:

STEEL BALL VALVES, API 608/API 6D
 STEEL BALL VALVES, ISO 10434/ISO 14313
 FIRE DURABLE, API 607
 ANTI STATIC, API 608
 STEEL VALVES, ASME B 16.34
 FACE TO FACE, ASME B 16.10
 END FLANGES, ASME B 16.5
 BUTTWELDING ENDS, ASME B 16.25
 INSPECTION AND TEST, API 598/API 6D

Design description:

FULL PORT DESIGN
 BB, BOLTED BONNET, SPLIT BODY
 FLOATING BALL TYPE
 BLOW-OUT PROOF STEM
 FIRE DURABLE CONSTRUCTION
 ANTI STATIC DEVICE
 STOPPER DEVICE
 ISO5211 MOUNTING PAD
 FLANGED OR BUTT WELDING ENDS
 AVAILABLE WITH BG OPERATOR



Materials of parts

No	Part Name	ASTM Material		
		Carbon Steel	18Cr-9Ni-2Mo	Carbon Steel
1	Body	A216-WCB	A351-CF8M	A352-LCB
2	Bonnet	A216-WCB	A351-CF8M	A352-LCB
3	Ball	A182-F304 ¹⁾	A182-F316	A182-F304 ¹⁾
4	Stem	A276-304	A276-316	A276-304
5	Seat Ring	R.PTFE		
6	Bonnet Gasket	Graphite+304 ²⁾	PTFE	Graphite+304 ²⁾
7	Bonnet Stud	A193-B7	A193-B8	A320-L7
8	Bonnet Stud Nut	A194-2H	A194-8	A194-4
9	Packing	PTFE		
10	Gland Flange	A216-WCB	A351-CF8M	A352-LCB
11	Gland Bolt	A193-B7	A193-B8	A193-B7
12	Stop Plate	Carbon Steel	Carbon Steel+Zn	Carbon Steel
13	Handle	Carbon Steel		

Note: 1). A105+ENP optional
 2). Spiral wound construction.



Dimensions data

NPS DN	1/2 15	3/4 20	1 25	1 1/2 40	2 50	2 1/2 40	3 80	4 100	6 150	8 200	10 250	12 300	in mm
ANSI Class 300Lb													
L (RF)	5.50 140	6.00 152	6.50 165	7.50 190	8.50 216	9.50 241	11.12 283	12.00 305	15.88 403	19.75 502	22.38 568	25.50 648	in mm
L1 (BW)	5.50 140	6.00 152	6.50 165	7.50 190	8.50 216	9.50 241	11.12 283	12.00 305	18.00 457	20.50 521	22.00 559	25.00 635	in mm
H	2.12 55	2.12 55	2.75 70	3.50 90	4.12 105	6.12 153	7.25 187	8.00 206	10.00 255	11.00 280	13.50 345	16.50 420	in mm
(d)	13	19	25	38	49	62	74	100	150	201	252	303	mm
W	5 130	5 130	6 160	8 200	14 350	16 400	20 500	20 500	24 600	32 800	32 800	32 800	in mm
WT (kg)	2.5 1.8	3.5 2	5.5 3.2	10.5 5.5	14.5 8.7	23.5 15	30 18	55 36	118 85	200 152	250 182	330 232	RF BW