

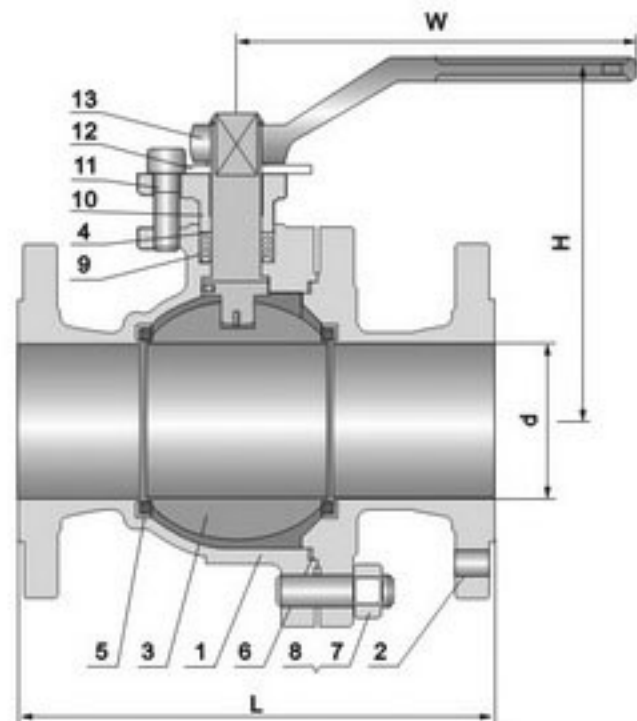
## CAST STEEL BALL VALVE 150LB

### Applicable standards:

STEEL BALL VALVES, API 608/API 6D  
 STEEL BALL VALVES, ISO 10434/ISO 14313  
 FIRE DURABLE, API 607  
 ANTI STATIC, API 608  
 STEEL VALVES, ASME B 16.34  
 FACE TO FACE, ASME B 16.10  
 END FLANGES, ASME B 16.5  
 BUTTWELDING ENDS, ASME B 16.25  
 INSPECTION AND TEST, API 598/API 6D

### Design description:

FULL PORT DESIGN  
 BB, BOLTED BONNET, SPLIT BODY  
 FLOATING BALL TYPE  
 BLOW-OUT PROOF STEM  
 FIRE DURABLE CONSTRUCTION  
 ANTI STATIC DEVICE  
 STOPPER DEVICE  
 ISO5211 MOUNTING PAD  
 FLANGED OR BUTT WELDING ENDS  
 AVAILABLE WITH BG OPERATOR



### Materials of parts

No	Part Name	ASTM Material		
		Carbon Steel	18Cr-9Ni-2Mo	Carbon Steel
1	Body	A216-WCB	A351-CF8M	A352-LCB
2	Bonnet	A216-WCB	A351-CF8M	A352-LCB
3	Ball	A182-F304 <sup>1)</sup>	A182-F316	A182-F304 <sup>1)</sup>
4	Stem	A276-304	A276-316	A276-304
5	Seat Ring		R.PTFE	
6	Bonnet Gasket	Graphite+304 <sup>2)</sup>	PTFE	Graphite+304 <sup>2)</sup>
7	Bonnet Stud	A193-B7	A193-B8	A320-L7
8	Bonnet Stud Nut	A194-2H	A194-8	A194-4
9	Packing		PTFE	
10	Gland Flange	A216-WCB	A351-CF8M	A352-LCB
11	Gland Bolt	A193-B7	A193-B8	A193-B7
12	Stop Plate	Carbon Steel	Carbon Steel+Zn	Carbon Steel
13	Handle		Carbon Steel	

Note: 1). A105+ENP optional  
 2). Spiral wound construction.



### Dimensions data

NPS DN	1/2 15	3/4 20	1 25	1 1/2 40	2 50	2 1/2 40	3 80	4 100	6 150	8 200	10 250	12 300	in mm
<b>ANSI Class 150Lb</b>													
L (RF)	4.25 108	4.62 117	5.00 127	6.50 165	7.00 178	7.50 190	8.00 203	9.00 229	15.50 394	18.00 457	21.00 533	24.00 610	in mm
L1 (BW)	5.50 140	6.00 152	6.50 165	7.50 190	8.50 216	9.50 241	11.12 283	12.00 305	18.00 457	20.50 521	22.00 559	25.00 635	in mm
H	2.12 55	2.12 55	2.75 70	3.50 90	4.12 105	6.12 155	7.25 185	8.00 205	10.00 255	11.00 280	13.50 345	16.50 420	in mm
(d)	13	19	25	38	49	62	74	100	150	201	252	303	mm
W	5 130	5 130	6 160	8 200	14 350	16 400	20 500	20 500	24 600	32 800	32 800	32 800	in mm
WT (kg)	2.3 1.8	3 2.8	4.5 3.7	7 6.2	9.5 8.5	15 14	19 21	33 35	93 98	160 170	200 225	280 295	RF BW