

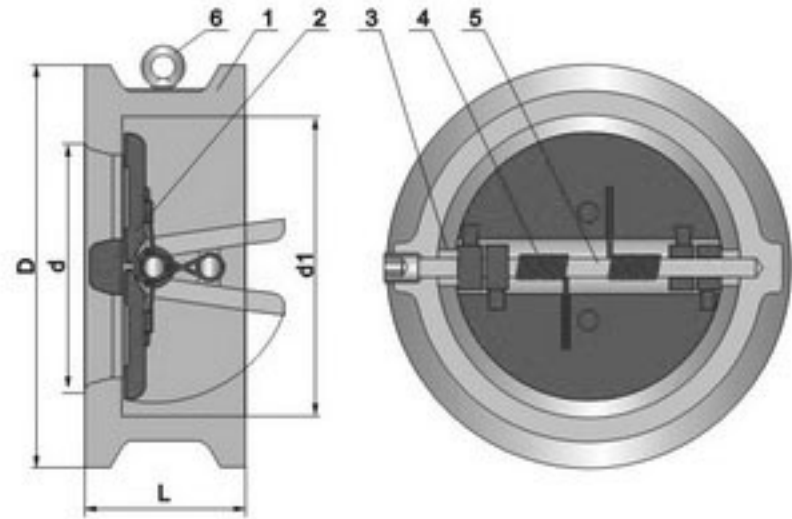
BUTTERFLY DUAL-PLATE CAST STEEL CHECK VALVE 600lb/900lb

Applicable standards:

STEEL CHECK VALVES, API 594/API 6D
 STEEL CHECK VALVES, ISO 14313
 STEEL VALVES, ASME B16.34
 FACE TO FACE, ASME B16.10
 END FLANGES, ASME B16.5
 INSPECTION AND TEST, API 598/API 6D

Design description:

ONE PIECE BODY
 BUTTERFLY SWING TYPE
 DUAL-PLATE DISC, LONG-PATTERN
 RENEWABLE SPLIT DISC
 HORIZONTAL OR VERTICAL SERVICE
 WAFER ENDS
 AVAILABLE WITH FLANGED ENDS



Materials of parts

No	Part Name	ASTM Material		
		Carbon Steel	18Cr-9Ni-2Mo	Carbon Steel
1	Body	A216-WCB	A351-CF8M	A352-LCB
2	Plate	A216-WCB+CR13	A315-CF8M+HF	A352-LCB+CR13
3	Stop Pin	A276-420	A276-304	A276-420
4	Back Spring	A313-304	A313-316	A313-304
5	Hinge Pin	A276-420	A276-304	A276-420
6	Eyebolt ¹⁾	Carbon Steel		

Note: 1). NPS 8' & larger.

Dimensions data

NPS DN	2 50	2½ 65	3 80	4 100	6 150	8 200	10 250	12 300	14 350	16 400	in mm
-----------	---------	----------	---------	----------	----------	----------	-----------	-----------	-----------	-----------	----------

ANSI Class 600Lb

L	2.38 60	2.62 67	2.88 73	2.88 73	3.88 98	5.00 127	5.75 146	7.12 181	7.25 184	7.50 191	in. mm
D	4.00 103	4.88 122	5.38 135	6.75 173	8.62 220	10.88 277	13.25 337	16.00 407	17.62 448	20.12 512	in. mm
d	2.00 51	2.50 65	3.25 80	4.00 102	6.00 152	8.00 203	10.00 254	12.00 305	13.75 350	15.75 400	in. Mm
d1	2.25 56	2.88 73	3.50 88	4.25 108	6.25 160	8.25 210	10.50 266	12.12 310	14.00 355	16.00 405	in. mm
WT	2	3	4	6	13	25	39	54	80	117	Kg

ANSI Class 900Lb

L	2.38 60	2.62 67	2.88 73	2.88 73	3.88 98	5.00 127	5.75 146	7.12 181	8.75 222	9.12 232	in. mm
D	4.25 110	5.00 128	5.75 147	7.00 179	9.88 249	12.00 305	14.12 359	16.50 420	19.00 483	21.12 537	in. mm
d	2.00 51	2.50 65	3.00 80	4.00 102	6.00 152	8.00 203	10.00 254	12.00 305	14.00 350	16.00 400	in. Mm
d1	2.25 58	2.88 73	3.50 88	4.25 108	6.38 160	8.25 210	10.50 266	12.25 310	14.00 355	16.00 405	in. mm
WT	3	4	6	8	18	31	51	77	117	190	Kg