

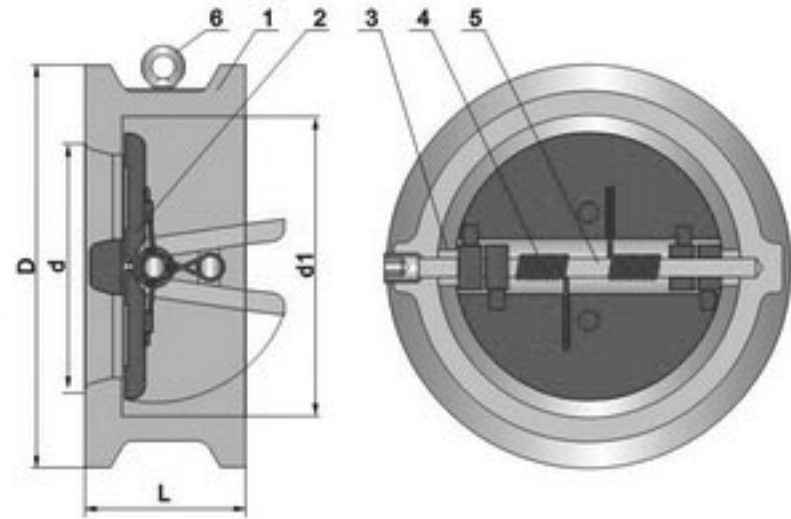
## BUTTERFLY DUAL-PLATE CAST STEEL CHECK VALVE 150lb/300lb

### Applicable standards:

STEEL CHECK VALVES, API 594/API 6D  
 STEEL CHECK VALVES, ISO 14313  
 STEEL VALVES, ASME B16.34  
 FACE TO FACE, ASME B16.10  
 END FLANGES, ASME B16.5  
 INSPECTION AND TEST, API 598/API 6D

### Design description:

ONE PIECE BODY  
 BUTTERFLY SWING TYPE  
 DUAL-PLATE DISC, LONG-PATTERN  
 RENEWABLE SPLIT DISC  
 HORIZONTAL OR VERTICAL SERVICE  
 WAFER ENDS  
 AVAILABLE WITH FLANGED ENDS



### Materials of parts

No	Part Name	ASTM Material		
		Carbon Steel	18Cr-9Ni-2Mo	Carbon Steel
1	Body	A216-WCB	A351-CF8M	A352-LCB
2	Plate	A216-WCB+CR13	A315-CF8M+HF	A352-LCB+CR13
3	Stop Pin	A276-420	A276-304	A276-420
4	Back Spring	A313-304	A313-316	A313-304
5	Hinge Pin	A276-420	A276-304	A276-420
6	Eyebolt <sup>1)</sup>	Carbon Steel		

Note: 1). NPS 8' & larger.

### Dimensions data

NPS DN	2 50	2½ 65	3 80	4 100	6 150	8 200	10 250	12 300	14 350	16 400	18 450	20 500	24 600	in mm
-----------	---------	----------	---------	----------	----------	----------	-----------	-----------	-----------	-----------	-----------	-----------	-----------	----------

#### ANSI Class 150Lb

L	2.38 60	2.62 67	2.88 73	2.88 73	3.88 98	5.00 127	5.75 146	7.12 181	7.25 184	7.50 191	8.00 203	8.62 219	8.75 222	in. mm
D	4.00 103	4.88 122	5.38 135	6.75 173	8.62 220	10.88 277	13.25 337	16.00 407	17.62 448	20.12 512	21.50 547	23.75 604	28.12 715	in. mm
d	2.00 51	2.50 65	3.25 80	4.00 102	6.00 152	8.00 203	10.00 254	12.00 305	13.75 350	15.75 400	17.75 450	19.75 500	23.62 600	in. Mm
d1	2.25 56	2.88 73	3.50 88	4.25 108	6.25 160	8.25 210	10.50 266	12.12 310	14.00 355	16.00 405	18.00 455	19.88 505	23.75 605	in. mm
WT	2	3	4	6	13	25	39	54	80	117	138	163	331	Kg

#### ANSI Class 300Lb

L	2.38 60	2.62 67	2.88 73	2.88 73	3.88 98	5.00 127	5.75 146	7.12 181	8.75 222	9.12 232	10.38 264	11.50 292	12.50 318	in. mm
D	4.25 110	5.00 128	5.75 147	7.00 179	9.88 249	12.00 305	14.12 359	16.50 420	19.00 483	21.12 537	23.38 594	25.62 652	30.38 772	in. mm
d	2.00 51	2.50 65	3.00 80	4.00 102	6.00 152	8.00 203	10.00 254	12.00 305	14.00 350	16.00 400	18.00 450	20.00 500	24.00 600	in. Mm
d1	2.25 58	2.88 73	3.50 88	4.25 108	6.38 160	8.25 210	10.50 266	12.25 310	14.00 355	16.00 405	18.00 455	20.00 505	24.00 608	in. mm
WT	3	4	6	8	18	31	51	77	117	190	200	265	410	Kg