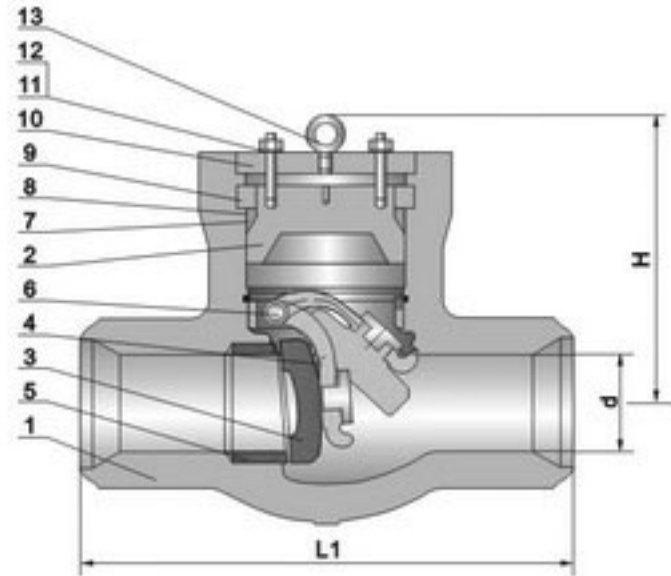


### Applicable standards:

STEEL CHECK VALVES,API6D/BS1868  
STEEL CHECK VALVES,ISO 14313  
STEEL VALVES,ASME B16.34  
FACE TO FACE,ASME B16.10  
END FLANGES,ASME B16.5  
BUTTWELDING ENDS,ASME B16.25  
INSPECTION AND TEST,API 598/API 6D

### Design description:

PRESSURE SEAL BONNET CAP  
SWING TYPE,ANTI-ROTATION DISC  
RENEWABLE SEAT RINGS  
NON-PENETRATE DISC SHAFT  
HORIZONTAL OR VERTICAL SERVICE  
FLANGED OR BUTTWELDING ENDS

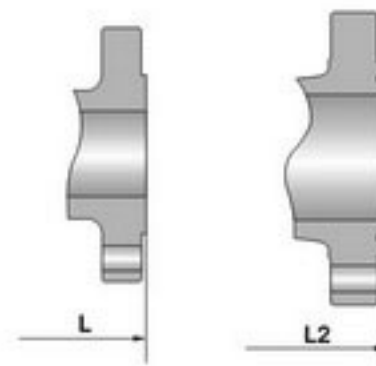


### Materials of parts

NO	Part Name	ASTM Material		
		Carbon Steel	1¼Cr-½Mo	Carbon Steel
1	Body	A216-WCB	A217-WC6	A351-CF8M
2	Bonnet Cap	A216-WCB	A217-WC6	A351-CF8M
3	Disc	A105+HF	A182-F11+HF	A351-CF8M+HF
4	Hinge	A216-WCB	A217-WC6	A351-CF8M
5	Seat Ring	A105+HF	A182-F11+HF	A240-316+HF
6	Hinge Pin	A276-420	A276-304	A276-316
7	Bonnet Gasket <sup>1)</sup>	Steel Ring	304SS Ring	316SS Ring
8	Adapter Ring	Carbon Steel	A276-420	A276-316
9	Retainer	Carbon Steel	A276-420	A276-316
10	Bonnet Clamp	Carbon Steel	Alloy Steel	Stainless Steel
11	Bonnet Stud	A193-B7	A193-B7	A193-B8M
12	Bonnet Stud Nut	A194-2H	A194-2H	A194-8M
13	Eyebolt		Carbon Steel	

Note:1).Graphite optional

2).Disc and seat ring may either be solid facing material or a base material equal to or better than the body/bonnet material with facing as shown.



### Dimensions data

NPS DN	2 50	2½ 65	3 80	4 100	6 150	8 200	10 250	12 300	in mm
<b>ANSI Class 2500Lb</b>									
L1 (BW)	11.0 279	13.00 330	14.50 368	18.00 457	24.00 610	30.00 762	36.00 914	41.00 1041	in mm
L (RF)	17.75 451	20.00 508	22.75 578	26.50 673	36.00 914	40.25 1022	50 1270	56 1422	in mm
L2 (RTJ)	17.88 454	20.50 514	23.00 584	26.88 683	36.50 927	40.88 1038	50.88 1292	56.88 1445	in mm
H	10.25 260	10.25 260	13.75 350	16.12 410	18.88 480	22.38 570	25.25 640	32.00 815	in mm
WT (kg)	55 93	78 130	95 170	182 315	300 618	630 1125	825 1760	1580 2910	RF BW