

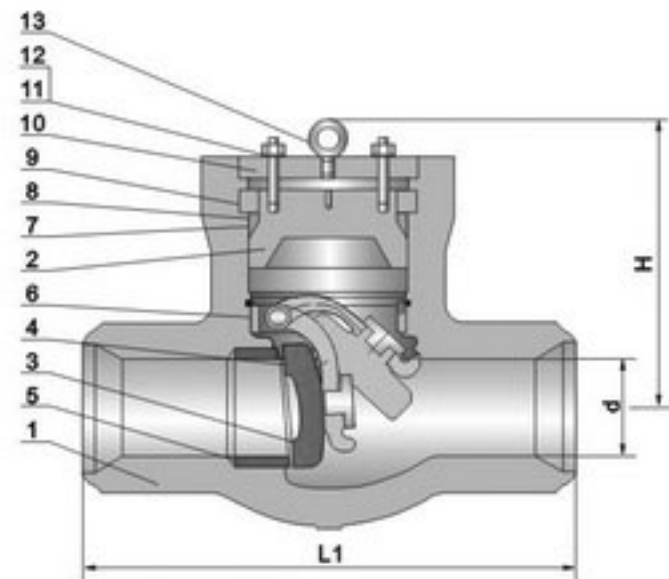
## PRESSURE SEAL CAST STEEL SWING CHECK VALVE 900lb

### Applicable standards:

STEEL CHECK VALVES, API 6D/BS 1868  
 STEEL CHECK VALVES, ISO 14313  
 STEEL VALVES, ASME B16.34  
 FACE TO FACE, ASME B16.10  
 END FLANGES, ASME B16.5  
 BUTTWELDING ENDS, ASME B16.25  
 INSPECTION AND TEST, API 598/API 6D

### Design description:

PRESSURE SEAL BONNET CAP  
 SWING TYPE, ANTI-ROTATION DISC  
 RENEWABLE SEAT RINGS  
 NON-PENETRATE DISC SHAFT  
 HORIZONTAL OR VERTICAL SERVICE  
 FLANGED OR BUTTWELDING ENDS

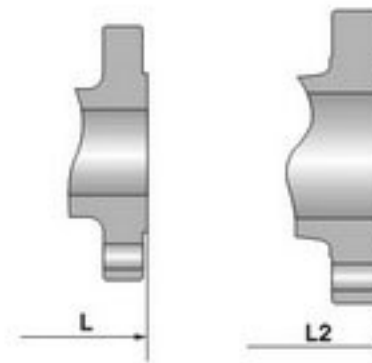


### Materials of parts

NO	Part Name	ASTM Material		
		Carbon Steel	1 1/4Cr-1/2Mo	Carbon Steel
1	Body	A216-WCB	A217-WC6	A351-CF8M
2	Bonnet Cap	A216-WCB	A217-WC6	A351-CF8M
3	Disc	A105+HF	A182-F11+HF	A351-CF8M+HF
4	Hinge	A216-WCB	A217-WC6	A351-CF8M
5	Seat Ring	A105+HF	A182-F11+HF	A240-316+HF
6	Hinge Pin	A276-420	A276-304	A276-316
7	Bonnet Gasket <sup>1)</sup>	Steel Ring	304SS Ring	316SS Ring
8	Adapter Ring	Carbon Steel	A276-420	A276-316
9	Retainer	Carbon Steel	A276-420	A276-316
10	Bonnet Clamp	Carbon Steel	Alloy Steel	Stainless Steel
11	Bonnet Stud	A193-B7	A193-B7	A193-B8M
12	Bonnet Stud Nut	A194-2H	A194-2H	A194-8M
13	Eyebolt		Carbon Steel	

Note: 1). Graphite optional

2). Disc and seat ring may either be solid facing material or a base material equal to or better than the body/bonnet material with facing as shown.



### Dimensions data

NPS	2	2 1/2	3	4	6	8	10	12	14	16	18	20	24	26	28	30	in
DN	50	65	80	100	150	200	250	300	350	400	450	500	600	650	700	750	mm

#### ANSI Class 900Lb

L1 (BW)	8.50	10.00	12.00	14.00	20.00	26.00	31.00	36.00	39.00	43.00	47.99	52.00	60.98	66.96	71.96	80.00	in
	216	254	305	356	508	660	787	914	991	1092	1219	1321	1549	1701	1828	2032	mm
L (RF)	14.50	16.50	15.00	18.00	24.00	29.00	33.00	38.00	40.5	44.5	47.99	52.00	60.98	66.96	71.96	80.00	in
	368	419	381	457	610	737	838	965	1029	1130	1219	1321	1549	1701	1828	2032	mm
L2 (RTJ)	14.62	16.62	15.12	18.12	24.12	29.12	33.12	38.12	40.88	44.88	48.50	52.51	61.73	67.83	72.83	80.86	in
	371	422	384	460	613	740	841	968	1038	1140	1232	1334	1568	1723	1850	2054	mm
H	9.50	9.50	10.00	13.38	15.75	18.12	21.62	24.00	27.00	29.50	33.97	36.96	41.96	45.00	46.96	50.00	in
	240	240	255	340	400	460	550	610	685	750	863	939	1066	1143	1193	1270	mm
(d)	47	57	72	98	146	190	238	282	311	355	400	444	533	-	-	-	mm
WT (kg)	22	34	38	71	176	485	761	1125	1345	1490	2840	3756	6000	6375	7229	8232	RF
	44	55	61	116	255	630	940	1433	1710	1820	2000	2700	4100	5100	5750	6510	BW