

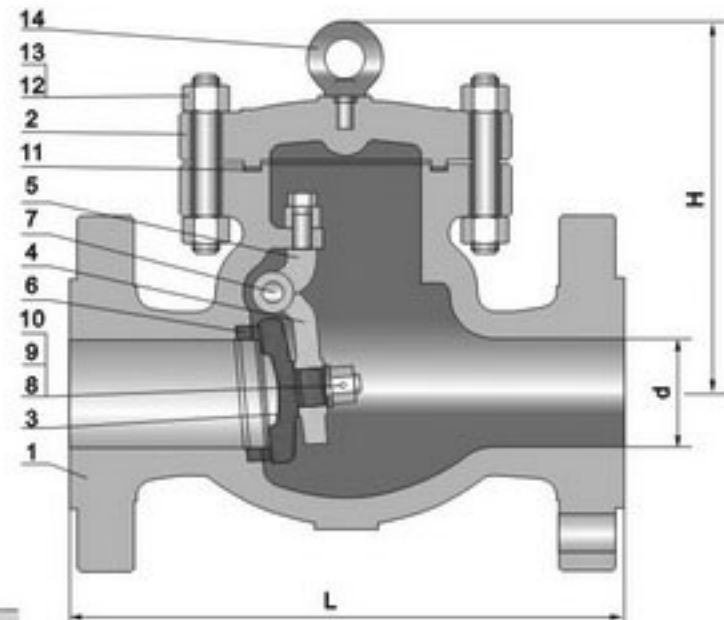
SWING CAST STEEL CHECK VALVE 600LB

Applicable standards:

STEEL CHECK VALVES, API 6D/BS1868
 STEEL CHECK VALVES, ISO 14313
 STEEL VALVES, ASME B16.34
 FACE TO FACE, ASME B16.10
 END FLANGES, ASME B16.5
 BUTTWELDING ENDS, ASME B16.25
 INSPECTION AND TEST, API 598/API 6D

Design description:

BB, BOLTED BONNET CAP
 SWING TYPE, ANTI-ROTATION DISC
 RENEWABLE SEAT RINGS
 NON-PENETRATE DISC SHAFT
 HORIZONTAL OR VERTICAL SERVICE
 FLANGED OR BUTTWELDING ENDS

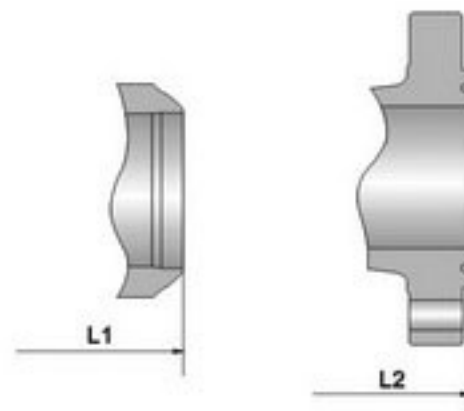


Materials of parts

| NO | Part Name | ASTM Material | | |
|----|-----------------------|-----------------------------|---------------|---------------|
| | | Carbon Steel | 1 1/4Cr-1/2Mo | Carbon Steel |
| 1 | Body | A216-WCB | A217-WC6 | A352-LCB |
| 2 | Bonnet Cap | A216-WCB | A217-WC6 | A352-LCB |
| 3 | Disc ¹⁾ | A105-CR13 | A182-F11+HF | A350-LF2+CR13 |
| 4 | Hinge | A216-WCB | A217-WC6 | A352-LCB |
| 5 | Support | A216-WCB | A217-WC6 | A352-LCB |
| 6 | Seat Ring | A105+CR13 | A182-F11+HF | A350-LF2+CR13 |
| 7 | Hinge Pin | A276-420 | A276-304 | A276-420 |
| 8 | Disc Washer | Carbon Steel | A276-304 | Carbon Steel |
| 9 | Disc Nut | Carbon Steel | A194-7 | Carbon Steel |
| 10 | Disc Nut Pin | Carbon Steel | A276-420 | Carbon Steel |
| 11 | Bonnet Gasket | Spiral Wound (Graphite+304) | | |
| 12 | Bonnet Stud | A193-B7 | A193-B16 | A320-L7 |
| 13 | Bonnet Stud Nut | A194-2H | A194-7 | A194-4 |
| 14 | Eyebolt ²⁾ | Carbon Steel | | |

Note: 1). NPS 6" & larger.

2). Disc and seat ring may either be solid facing material or a base material equal to or better than the body/bonnet material with facing as shown.



Dimensions data

| NPS DN | 2 50 | 2 1/2 65 | 3 80 | 4 100 | 6 150 | 8 200 | 10 250 | 12 300 | 14 350 | 16 400 | 18 450 | 20 500 | 24 600 | 26 650 | 28 700 | 30 750 | in mm |
|-------------------------|--------------|--------------|--------------|--------------|--------------|--------------|--------------|--------------|--------------|--------------|---------------|---------------|---------------|---------------|---------------|---------------|----------|
| ANSI Class 600Lb | | | | | | | | | | | | | | | | | |
| L/L1 (RF/BW) | 11.50 292 | 13.00 330 | 14.00 356 | 17.00 432 | 22.00 559 | 26.00 660 | 31.00 787 | 33.00 838 | 35.00 889 | 39.00 991 | 43.00 1092 | 47.00 1194 | 55.00 1397 | 57.00 1448 | 62.99 1600 | 65.00 1651 | in mm |
| L2 (RTJ) | 11.62 295 | 13.12 333 | 14.12 359 | 17.12 435 | 22.12 562 | 26.12 664 | 31.12 791 | 33.12 841 | 35.12 892 | 39.12 994 | 43.12 1095 | 47.25 1200 | 55.38 1407 | 57.51 1461 | 63.50 1613 | 65.51 1664 | in mm |
| H | 7.50 190 | 8.00 205 | 8.75 222 | 10.00 255 | 14.50 368 | 17.50 445 | 19.25 490 | 21.38 540 | 23.38 595 | 25.75 655 | 28.75 730 | 31.00 785 | 43.50 1105 | 40.00 1016 | 40.00 1066 | 45.98 1168 | in mm |
| (d) | 50 | 63 | 76 | 100 | 150 | 199 | 247 | 298 | 326 | 374 | 419 | 463 | 558 | 603 | 648 | 695 | mm |
| WT (kg) | 24 16 | 35 19 | 44 26 | 70 44 | 125 87 | 207 147 | 310 220 | 460 350 | 615 452 | 945 720 | 1105 845 | 1495 1160 | 1695 1280 | 3800 3010 | 4600 3724 | 5500 4528 | RF BW |