

PRESSURE SEAL FORGED STEEL GLOBE VALVE 900lb/1500lb/2500lb

Technical Specification

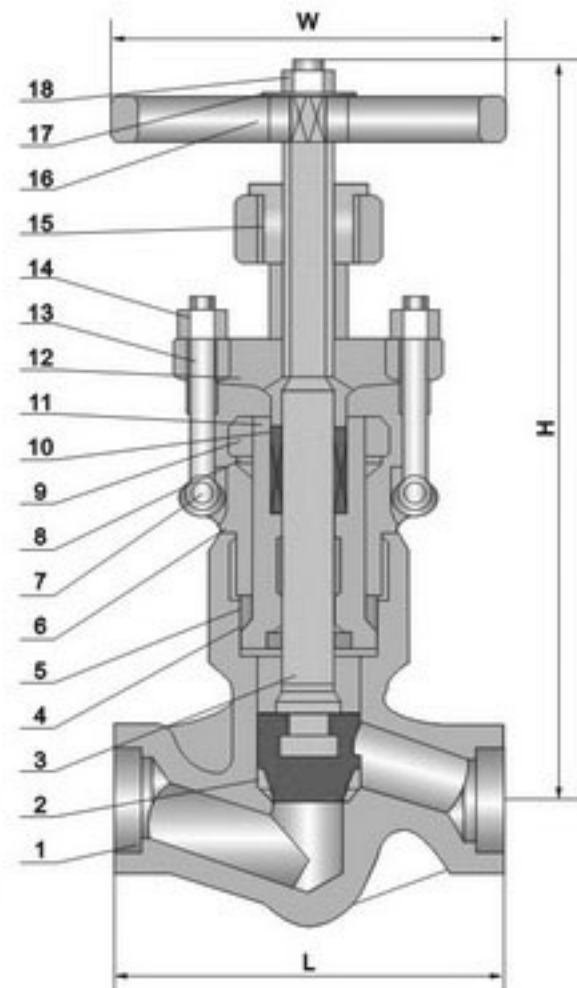
STEEL CHECK VALVES, API 602
STEEL VALVES, ASME B16.34
END TO END,, MANUFACTURER STANDARD
FACE TO FACE, FLANGED, ASME B 16.10
BUTTWELDING ENDS, ASME B16.25
SOCKET-WELDING ENDS, ASME B16.11
SOREWED ENDS, ASME B 1.20.1
INSPECTION AND TEST, API 598

Design description:

OUTSIDE SCREW AND YOKE (OS&Y)
PRESSURE SEAL BONNET
LOOSE DISC, CHOICE OF PLUG OR BALL
SEAT RINGS INTEGRAL WITH BODY
YOKE INTEGRAL WITH BONNET
RISING STEM AND HANDWHEEL
HORIZONTAL SERVICE
SW, SOCKET-WELDING ENDS
SC, SCREWED ENDS
BW, BUTTWELDING ENDS

Form of Major Part Material

NO.	Part Name	CS to ASTM	AS to ASTM	SS to ASTM	
		Type A 105N	Type F22	Type F304(L)	Type F316(L)
1	Body	A105N	A182 F22	A182 F304(L)	A182 F316(L)
2	Disc	A276 420+STL	A276 304+STL	A276 304(L)+STL	A276 316(L)+STL
3	Stem	A276-410	A182 F22	A182 F304(L)	A182 F316(L)
4	Seal Place	A105	A182 F22	A182 F304(L)	A182 F316(L)
5	Seal Ring	A182 F304	A182 F304	A182 F304(L)	F316(L)
6	Bonnet	A105N	A182 F22	A182 F304(L)	A182 F316(L)
7	Pin	A276 420	A276 420	A182 F304	A182 F304
8	Gasket	A105N	A182 F22	A182 F304(L)	A182 F316(L)
9	Promotes the Nut	A194 2H	A194 4	A194 8	A194 8M
10	Stem Packing	Flexible graphite+304	Flexible graphite+304	Flexible graphite+316	Flexible graphite+316
11	Gland	A276 420	A276 420	A182 F304	A182 F304
12	Gland Flange	A105	A105	A182 F304	A182 F304
13	Gland Eyebolt	A193 B7	A193 B16	A193 B8	A193 B8M
14	Gland Nut	A194 2H	A194 4	A194 8	A194 8M
15	Yoke Nut	A276 420	A276 420	A276 420	A276 420
16	Hand Wheel	A197	A194 4	A197	A197
17	Name plate	SS	SS	SS	SS
18	Handwheel Nut	CS	CS	SS	SS



Class 900~1500 Main Outline Dimensions & Weight Pressure seal bonnet, reduced port, outside screw stem & yoke (OS&Y). BS 5352

F.P	1/2	3/4	1	1 1/4	1 1/2	2
L	140	140	140	178	178	216
W	200	200	200	280	280	300
H	320	320	320	440	440	490
d	12	15	20	28	32	40
Weight (kg)	11.5	10.8	10.5	19.6	21.1	55.4

Class 2500 Main Outline Dimensions & Weight Pressure port (OS&Y). The terminal connection for receives inserts welds, designs according to ASME B16.34

F.P	1/2	3/4	1	1 1/4	1 1/2	2
L	186	186	186	232	232	279
W	200	200	200	280	280	300
H	375	378	380	490	490	540
d	11	14	19	25	28	35
Weight (kg)	12.3	11.6	10.8	26.0	28.4	60