

FORGED STEEL GLOBE VALVE 800LB

Applicable standards:

STEEL GLOBE VALVES, API 602
 STEEL VALVES, ASME B16.34
 END TO END,, MANUFACTURER STANDARD
 FACE TO FACE, FLANGED, ASME B 16.11
 END FLANGES, ASME B16.5
 BUTTWELDING ENDS, ASME B16.25
 SOCKET-WELDING ENDS, ASME B16.11
 SOREWED ENDS, ASME B 1.20.1
 INSPECTION AND TEST, API 598

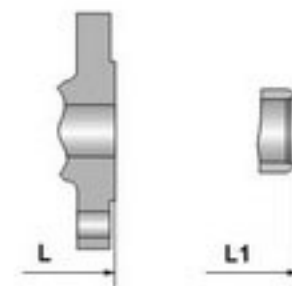
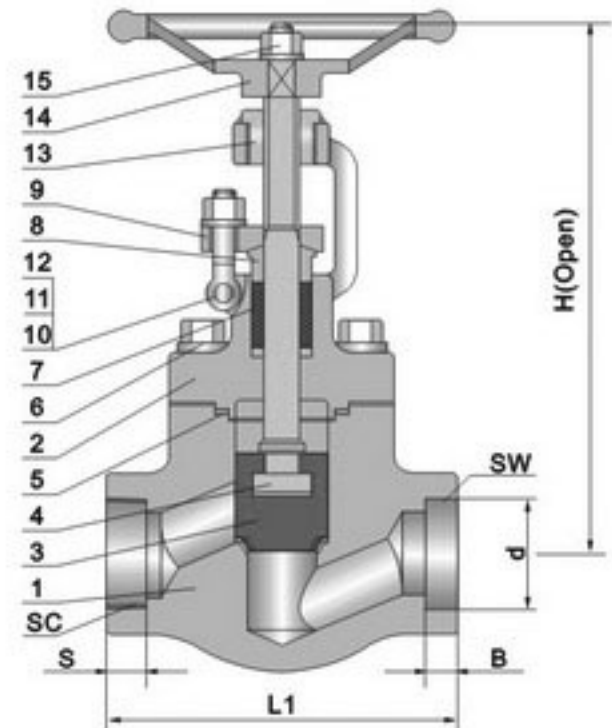
Design description:

OUTSIDE SCREW AND YOKE(OS&Y)
 BOLTED BONNET
 CHOICE OF WB, WELDING BONNET
 LOOSE DISC, CHOICE OF PLUG OR BALL
 SEAT RINGS INTEGRAL WITH BODY
 YOKE INTEGRAL WITH BONNET
 RISING STEM AND HANDWHEEL
 HORIZONTAL SERVICE
 SW, SOCKET-WELDING ENDS
 SC, SCREWED ENDS
 BW, BUTTWELDING ENDS

Materials of parts

No	Part Name	ASTM Material		
		C-SI	16Cr-12Ni-2Mo	1¼Cr-½Mo-SI
1	Body	A105	A182-F316	A182-F11
2	Bonnet	A105	A182-F316	A182-F11
3	Disc	A182-F6a	A182-F316	A182-F6a+HF
4	Stem	A276-410	A276-316	A276-410
5	Bonnet Gasket ²⁾	Graphite+304	Graphite+316	Graphite+304
6	Bonnet Stud	A193-B7	A193-B8M	A193-B16
7	Packing	Graphite		
8	Gland	A276-410	A276-316	A276-410
9	Gland Flange	A105	A182-F316	A182-F11
10	Eyebolt Pin	A276-410	A276-316	A276-410
11	Eyebolt	A193-B7	A193-B8M	A193-B16
12	Eyebolt Nut	A194-2H	A194-8M	A194-2H
13	Yokesleeve	A276-410		
14	Handwheel	Malleable Iron		
15	Handwheel Nut	Carbon Steel		

Note: 1). Seat integral with body.
 2). Spiral wound graphite.



150-600Lb

Dimensions data

NPS DN	Unit	L1 ¹⁾	L (Flanged Ends)			d	SW	SC	H (Open)	D0	WT ²⁾ (Kg)		
			150Lb	300Lb	600Lb								
3/8	in	3.12	4.00	6.00	6.50	0.354	0.693	0.378	3/8	0.540	6.50	4.00	3.8/2.8
10	mm	79	102	152	165	9	17.6	9.6	13.6	164	100		
1/2	in	3.12	4.25	6.00	6.50	0.354	0.858	0.378	1/2	0.535	6.50	4.00	5.6/3.4
15	mm	79	108	152	165	9	21.8	9.6	13.6	164	100		
3/4	in	3.62	4.62	7.00	7.50	0.512	1.067	0.500	3/4	0.547	6.50	4.00	7.8/4.7
20	mm	92	117	178	190	13	27.1	12.7	13.9	164	100		
1	in	4.38	5.00	8.00	8.50	0.689	1.331	0.500	1	0.681	8.00	5.00	12.5/9.2
25	mm	111	127	203	216	17.5	33.8	12.7	17.3	203	125		
1¼	in	4.75	5.50	8.50	9.00	0.906	1.677	0.500	1¼	0.709	8.88	6.25	17/10.5
32	mm	120	140	216	229	23	42.6	12.7	18	224	160		
1½	in	6.00	6.50	9.00	9.50	1.142	1.917	0.500	1½	0.724	10.25	6.25	23.5/13.3
40	mm	152	165	229	241	29	48.7	12.7	18.4	260	160		
2	in	3.75	8.00	10.50	11.50	1.378	2.406	0.626	2	0.756	11.88	7.00	38.8/18.9
50	mm	172	203	267	292	35	61.1	15.9	19.2	300	180		

Notes: 1) BW, SW or SC.
 2) 600Lb-RF/800Lb-(BW/SW/SC).