

## PRESSURE SEAL FORGED STEEL GATE VALVE 900lb/1500lb/2500lb

### Technical Specification

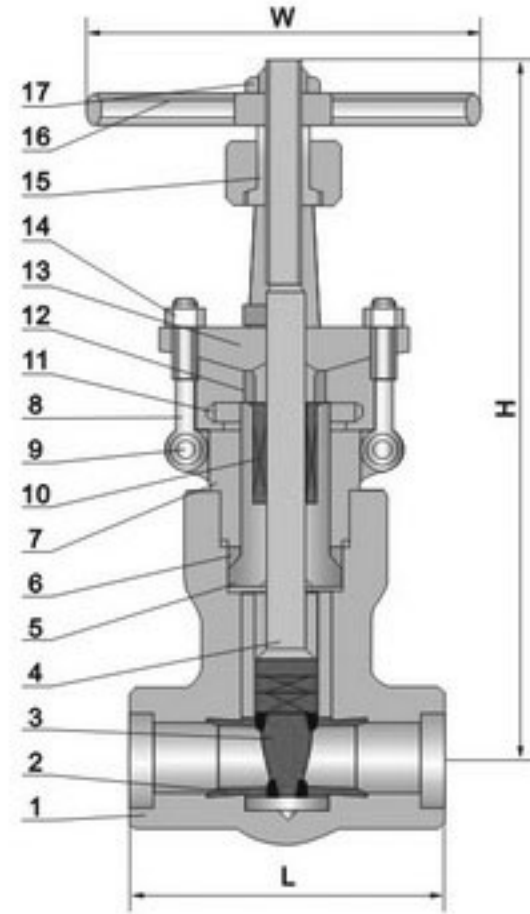
STEEL GATE VALVES, API 602  
STEEL VALVES, ASME B16.34  
END TO END, MANUFACTURER STANDARD  
FACE TO FACE, FLANGED, ASME B 16.10  
END FLANGES, ASME B16.5  
BUTTWELDING ENDS, ASME B16.25  
SOCKET-WELDING ENDS, ASME B16.11  
SCREWED ENDS, ASME B 1.20.1  
INSPECTION AND TEST, API 598

### Design description:

OUTSIDE SCREW AND YOKE(OS&Y)  
PRESSURE SEAL BONNET  
SINGLE WEDGE, FULLY GUIDED  
RENEWABLE SEAT RINGS  
RISING STEM AND NON-RISING HANDWHEEL  
SW, SOCKET-WELDING ENDS  
SC, SCREWED ENDS  
BW, BUTTWELDING ENDS  
FLANGED ENDS

### Form of Major Part Material

NO.	Part Name	CS to ASTM		SS to ASTM	
		Type A 105N	Type F22	Type F304(L)	Type F316(L)
1	Body	A105N	A182 F22	A182 F304(L)	A182 F316(L)
2	Seat Ring	A276 420	A276 304	A276 304(L)	A276 316(L)
3	Wedge	A182/F430+STL	A182 F304+STL	A182 F304(L)+STL	A182 F316(L)+STL
4	Stem	A182 F6a A276-410	A182 F22	A182 F304(L)	A182 F316(L)
5	From Seal Place	A105N	A182 F304	A182 F304(L)	F316(L)
6	From Packing Ring	F182 F304	A182 F304 F22	A276 304(L)	A276 316L
7	Bonnet	A105N	A182 F22	A182 F304(L)	A182 F316(L)
8	Gland Eyebolt	A193 B7	A193 B16	A193 B8	A193 B8M
9	Cylindrical Pin	A276 F420	A276 F420	A182 F304	A182 F304
10	Stem Packing	Graphite+304	Graphite+304	Graphite+316	Graphite+316
11	Promotes the Nut	A194 2H	A194 4	A194 8	A194 8M
12	Gland	A276 F420	A276 F420	A182 F304	A182 F304
13	Gland Flange	A105	F22	A182 F304	A182 F304
14	Gland Nut	A194 2H	A194 4	A194 8	A194 8M
15	Yoke Nut	A276-410	A276-410	A276 F410	A276 F410
16	Hand Wheel	A197	A197	A197	A197
17	Lock Nut	A194 2H	A194 4	A194 8	A194 8M



### Class 900~2500 Main Outline Dimension & Weight Pressure seal bonnet, outside screw stem & yoke (OS&Y). Designs according to ASME B16.34

NPS	Class	3/8	1/2	3/4	1	1 1/4	1 1/4	2
L	900-1500	140	140	140	140	178	178	216
	2500	186	186	186	186	232	232	279
W	900-1500	200	200	200	200	280	280	300
	2500	200	200	200	200	280	280	300
H	900-1500	318	318	318	322	467	468	540
	2500	325	325	325	327	467	468	540
d	900-1500	14	14	14	19	25	30	36.5
	2500	14	14	14	19	25	30	36.5
Weight(kg)	900-1500	11.5	11.5	10.8	10.5	19.6	21.0	55.4
	2500	12.3	12.3	11.6	10.8	26.0	28.4	60.0