

CAST STEEL GLOBE VALVE

1500Lb/2500Lb

Applicable standards:

STEEL GLOBE VALVES, BS BS1873/API600
 STEEL VALVES, ASME B16.34
 FACE TO FACE, ASME B16.10
 END FLANGES, ASME B16.5
 BUTTWELDING ENDS, ASME B16.25
 INSPECTION AND TEST, API 598

Design description:

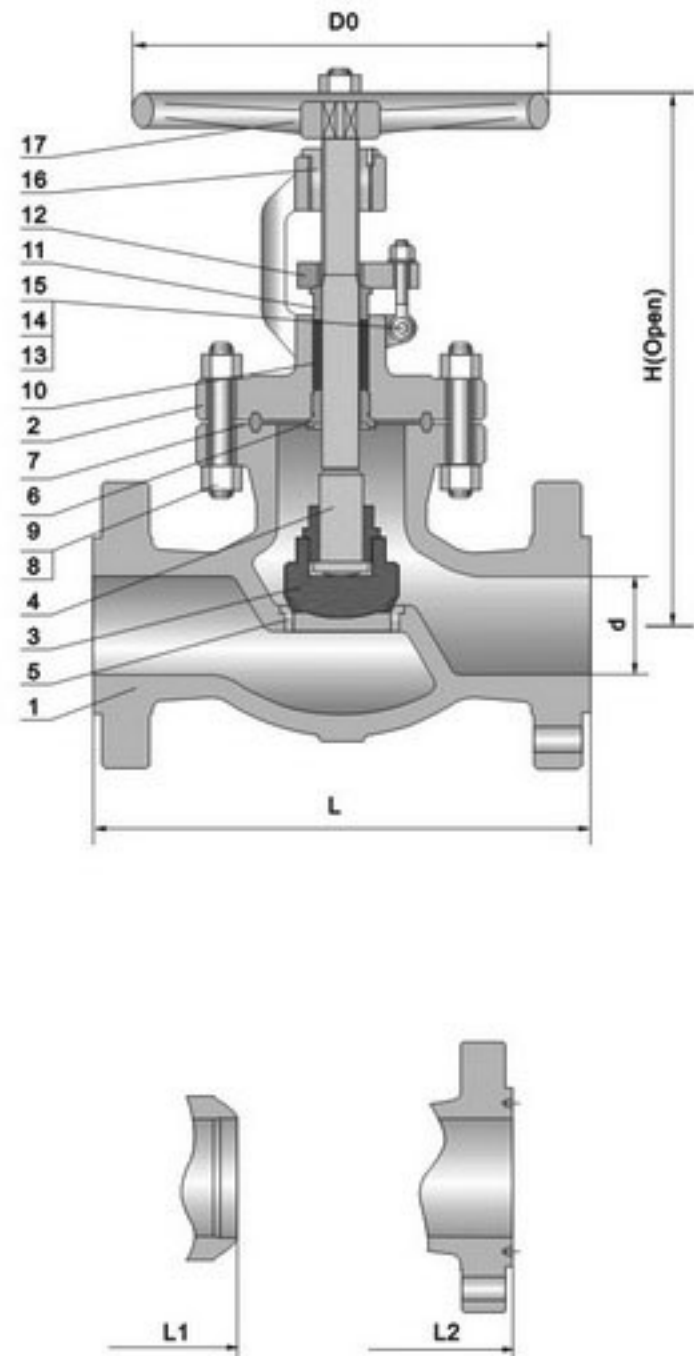
STRAIGHT PATTERN BODY DESIGN
 OS & Y, OUTSIDE SCREW AND YOKE
 BB, BOLTED BONNET
 YOKE INTEGRAL WITH BONNET
 RISING STEM AND HANDWHEEL
 LOOSE DISC, CHOICE OF PLUG OR BALL
 RENEWABLE SEAT RING
 IMPACT HANDWHEEL FOR 10" & ABOVE
 HORIZONTAL SERVICE
 FLANGED OR BUTTWELDING ENDS
 AVAILABLE WITH BG OPERATOR

Materials of parts

NO	Part Name	ASTM Material		
		Carbon Steel	1 $\frac{1}{4}$ Cr- $\frac{1}{2}$ Mo	Carbon Steel
1	Body	A216-WCB	A217-WC6	A352-LCB
2	Bonnet	A216-WCB	A217-WC6	A352-LCB
3	Disc	A105+CR13	A182-F11+HF	A3510-LF2+CR13
4	Stem	A182-F6a	CR-MO-V	A182-F6a
5	Seat Ring	A105+HF	A182-F11+HF	A350-LF2+HF
6	Stem Back Seat	A276-420	A276-304	A276-420
7	Bonnet Gasket	Steel Ring	304SS Ring	Steel Ring
8	Bonnet Stud	A193-B7	A193-B16	A320-L7
9	Bonnet Stud Nut	A194-2H	A194-7	A194-4
10	Packing	Graphite		
11	Gland	A276-420	A276-304	A276-420
12	Gland Flange	A216-WCB	A217-WC6	A352-LCB
13	Eyebolt Pin	Carbon Steel	A276-420	Carbon Steel
14	Eyebolt	Carbon Steel	A193-B7	Carbon Steel
15	Eyebolt Nut	Carbon Steel	A194-2H	Carbon Steel
16	Yokesleeve	Aluminum-Bronze ¹⁾		
17	Handwheel	Malleable Iron		

Note: 1) Ductile Ni-Resist optional

2) Wedge and seat ring may either be solid facing material or a base material equal to or better than the body/bonnet material with facing as shown.



Dimensions data

NPS	2	2 $\frac{1}{2}$	3	4	6	8	2	2 $\frac{1}{2}$	3	4	6	in
DN	50	65	80	100	150	200	50	65	80	100	150	mm
	ANSI Class 1500Lb						ANSI Class 2500Lb					
L/L1 (RF/BW)	14.50	16.50	18.50	21.50	27.75	32.75	17.75	20.00	22.75	26.50	36.00	in
	368	419	470	546	705	832	451	508	578	673	914	mm
L2 (RTJ)	14.62	16.62	18.62	21.62	28.00	33.12	17.88	20.50	23.00	26.88	36.50	in
	371	422	473	549	711	841	454	514	584	683	927	mm
H (OPEN)	22.00	23.25	29.50	36.00	48.62	65.00	25.50	28.12	32.50	47.00	70.50	in
	560	590	750	915	1235	1650	650	715	825	1195	1790	mm
(d)	47	57	69	92	136	177	38	47	57	72	111	mm
D0	13	16	18	20	24	28	16	18	20	24	28	in
	320	400	450	500	600	700	400	450	500	600	700	mm
WT (kg)	68	97	116	215	445	795	97	138	167	305	633	RF
	57	81	95	184	347	635	72	95	108	196	351	BW