

CAST STEEL GLOBE VALVE

600Lb/900Lb

Applicable standards:

STEEL GLOBE VALVES, BS1873/API600
 STEEL VALVES, ASME B16.34
 FACE TO FACE, ASME B16.10
 END FLANGES, ASME B16.5
 BUTTWELDING ENDS, ASME B16.25
 INSPECTION AND TEST, API 598

Design description:

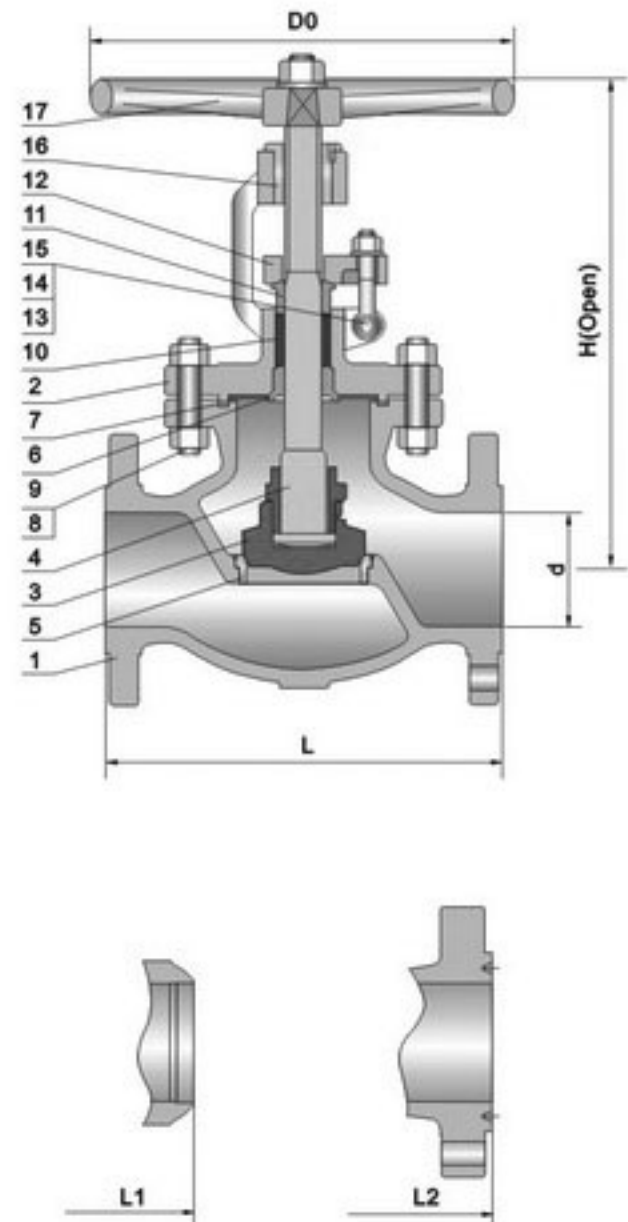
STRAIGHT PATTERN BODY DESIGN
 OS & Y, OUTSIDE SCREW AND YOKE
 BB, BOLTED BONNET
 YOKE INTEGRAL WITH BONNET
 RISING STEM AND HANDWHEEL
 LOOSE DISC, CHOICE OF PLUG OR BALL
 RENEWABLE SEAT RING
 IMPACT HANDWHEEL FOR 10" & ABOVE
 HORIZONTAL SERVICE
 FLANGED OR BUTTWELDING ENDS
 AVAILABLE WITH BG OPERATOR

Materials of parts

NO	Part Name	ASTM Material		
		Carbon Steel	1 1/4Cr-1/2Mo	Carbon Steel
1	Body	A216-WCB	A217-WC6	A352-LCB
2	Bonnet	A216-WCB	A217-WC6	A352-LCB
3	Disc	A105+CR13	A182-F11+HF	A3510-LF2+CR13
4	Stem	A182-F6a	CR-MO-V	A182-F6a
5	Seat Ring	A105+HF	A182-F11+HF	A350-LF2+HF
6	Stem BackSeat	A276-420	A276-304	A276-420
7	Bonnet Gasket	Spiral Wound (Graphite+304)		
8	Bonnet Stud	A193-B7	A193-B16	A320-L7
9	Bonnet Stud Nut	A194-2H	A194-7	A194-4
10	Packing	Graphite		
11	Gland	A276-420	A276-304	A276-420
12	Gland Flange	A216-WCB	A217-WC6	A352-LCB
13	Eyebolt Pin	Carbon Steel	A276-420	Carbon Steel
14	Eyebolt	Carbon Steel	A193-B7	Carbon Steel
15	Eyebolt Nut	Carbon Steel	A194-2H	Carbon Steel
16	Yokesleeve	Aluminum-Bronze ¹⁾		
17	Handwheel	Malleable Iron		

Note: 1) Ductile Ni-Resist optional

2) Disc and seat ring may either be solid facing material or a base material equal to or better than the body/bonnet material with facing as shown.



Dimensions data

NPS	2	2 1/2	3	4	6	8	10	12	2	2 1/2	3	4	6	8	10	in
DN	50	65	80	100	150	200	250	300	50	65	80	100	150	200	250	mm
ANSI Class 600Lb									ANSI Class 900Lb							
L/L1 (RF/BW)	11.50	13.00	14.00	17.00	22.00	26.00	31.00	33.00	14.50	16.50	15.00	18.00	24.00	29.00	33.00	in
	292	330	356	432	559	660	787	838	368	419	381	457	610	737	838	mm
L2 (RTJ)	11.62	13.12	14.12	17.12	22.12	26.12	31.12	33.12	14.62	16.62	15.12	18.12	24.12	29.12	33.12	in
	295	333	359	435	562	663	790	841	371	422	384	460	613	740	841	mm
H (OPEN)	17.50	19.75	21.00	24.50	29.50	36.50	44.88	53.12	22.00	23.25	25.25	31.88	41.38	53.50	61.88	in
(d)	445	502	533	622	750	927	1140	1350	560	590	640	810	1050	1360	1570	mm
d	50	63	76	100	150	199	247	298	47	57	72	98	146	190	238	mm
D0	10	11	13	16	18	20	24	24	11	13	16	18	20	24	24	in
	240	280	320	400	450	500	600	600	280	320	400	450	500	600	600	mm
WT (kg)	35	50	60	110	230	410	770	1140	57	82	92	168	365	665	1250	RF
	27	34	42	84	192	350	680	1030	41	53	58	117	238	538	1060	BW