

FLAT GATE VALVE

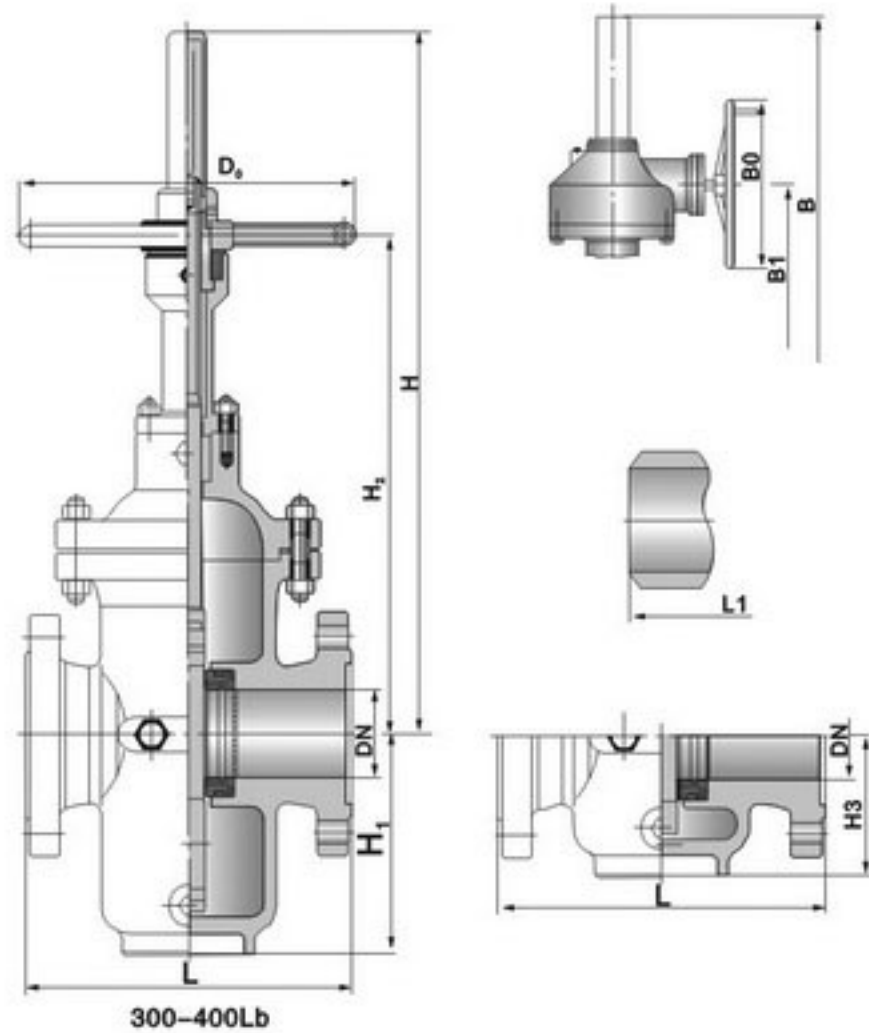
900Lb

Applicable standards:

STEEL GATE VALVES, AAPI 6D
 STEEL GATE VALVES, ISO 14313
 STEEL VALVES, ASME B 16.34
 FACE TO FACE, ASME B 16.10
 END FLANGES, ASME B 16.5
 BUTTWELDING ENDS, ASME B 16.25
 INSPECTION AND TEST, API 6D

Design description:

FULL PATH DESIGN
 OS & Y, OUTSIDE SCREW AND YOKE
 BB, BOLTED BONNET
 PARALLEL SINGLE OR DOUBLE DISC TYPE
 "K" TYPE OR "V" TYPE OPEN DOUBLE WEDGE DISC
 RENEWABLE SEAT RINGS
 FORGED T-HEAD STEM
 RISING STEM AND NON-RISING HANDWHEEL
 FLANGED OR BUTTWELDING ENDS
 AVAILABLE WITH BG OPERATOR
 CONDUCTION CURRENT OR NO CONDUCTION CURRENT PATTEN



| NPS DN | 1 25 | 1¼ 32 | 1½ 40 | 2 50 | 2½ 65 | 3 80 | 4 100 | 6 150 | 8 200 | 10 250 | 12 300 | 14 350 | 16 400 | 18 450 | 20 500 | 24 600 |
|-----------|---------|----------|----------|---------|----------|---------|----------|----------|----------|-----------|-----------|-----------|-----------|-----------|-----------|-----------|
|-----------|---------|----------|----------|---------|----------|---------|----------|----------|----------|-----------|-----------|-----------|-----------|-----------|-----------|-----------|

ANSI Class 600Lb

| | | | | | | | | | | | | | | | | |
|----------------|--|--|--|------|------|------|------|------|------|------|------|------|------|------|------|--|
| L | | | | 292 | 330 | 356 | 432 | 559 | 660 | 787 | 838 | 889 | 991 | 1092 | 1194 | |
| L1 | | | | 292 | 330 | 356 | 432 | 559 | 660 | 787 | 838 | 889 | 991 | 1092 | 1194 | |
| H | | | | 468 | 565 | 625 | 720 | 910 | 1145 | 1411 | 1590 | - | - | - | - | |
| H2 | | | | 335 | 430 | 440 | 510 | 630 | 800 | 1050 | 1160 | - | - | - | - | |
| D0 | | | | 300 | 300 | 350 | 350 | 400 | 500 | 500 | 600 | - | - | - | - | |
| B | | | | 505 | 560 | 610 | 770 | 965 | 1200 | 1370 | 1560 | 1740 | 1970 | 2260 | 2420 | |
| B1 | | | | 430 | 470 | 510 | 650 | 800 | 960 | 1090 | 1200 | 1350 | 1540 | 1700 | 1850 | |
| B0 | | | | 310 | 310 | 310 | 310 | 310 | 310 | 460 | 460 | 460 | 460 | 460 | 460 | |
| Geared driving | | | | BA-0 | BA-0 | BA-0 | BA-0 | BA-0 | BA-1 | BA-1 | BA-1 | BA-2 | BA-2 | BA-2 | BA-2 | |
| H3 | | | | 108 | 125 | 145 | 165 | 220 | 280 | 330 | 380 | 430 | 480 | 530 | 580 | |
| H1 | | | | 158 | 190 | 225 | 255 | 330 | 410 | 490 | 570 | 650 | 735 | 810 | 905 | |

ANSI Class 900Lb

| | | | | | | | | | | | | | | | | |
|-------|-----|-----|-----|-----|-----|-----|-----|------|------|------|------|------|------|------|------|------|
| L(RF) | 254 | 279 | 305 | 368 | 419 | 381 | 457 | 610 | 737 | 838 | 965 | 1029 | 1130 | 1219 | 1321 | 1549 |
| L(BW) | 254 | 279 | 305 | 368 | 419 | 381 | 457 | 610 | 737 | 838 | 965 | 1029 | 1130 | 1219 | 1321 | 1549 |
| H | 325 | 405 | 503 | 550 | 618 | 693 | 810 | 1052 | 1263 | 1583 | 1698 | - | - | - | - | - |
| H2 | 253 | 312 | 387 | 416 | 491 | 531 | 618 | 791 | 942 | 1136 | 1271 | - | - | - | - | - |
| D0 | 250 | 300 | 300 | 350 | 400 | 500 | 600 | 650 | 700 | 800 | 1000 | - | - | - | - | - |
| B | - | - | - | - | - | 833 | 950 | 1212 | 1423 | 1813 | 1928 | 2230 | - | - | - | - |
| B1 | - | - | - | - | - | 616 | 703 | 886 | 1037 | 1276 | 1411 | 1585 | - | - | - | - |
| B0 | - | - | - | - | - | 305 | 305 | 458 | 458 | 458 | 458 | 458 | - | - | - | - |
| H3 | 73 | 85 | 91 | 97 | 110 | 121 | 133 | 176 | 206 | 255 | 290 | 321 | 351 | 395 | 436 | 515 |
| H1 | 100 | 128 | 40 | 147 | 184 | 216 | 266 | 418 | 508 | 600 | 726 | 775 | 871 | 966 | 1060 | 1416 |