

## FLAT GATE VALVE

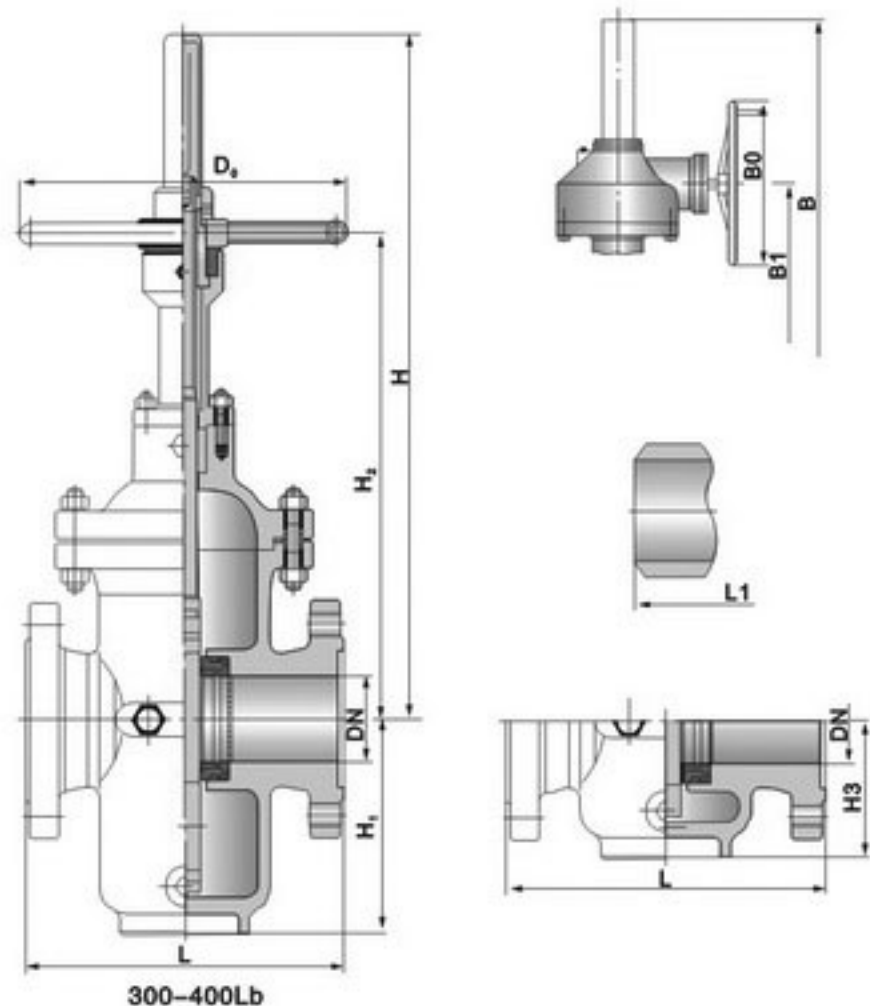
### 400Lb/600Lb

#### Applicable standards:

STEEL GATE VALVES, AAPI 6D  
 STEEL GATE VALVES, ISO 14313  
 STEEL VALVES, ASME B 16.34  
 FACE TO FACE, ASME B 16.10  
 END FLANGES, ASME B 16.5  
 BUTTWELDING ENDS, ASME B 16.25  
 INSPECTION AND TEST, API 6D

#### Design description:

FULL PATH DESIGN  
 OS & Y, OUTSIDE SCREW AND YOKE  
 BB, BOLTED BONNET  
 PARALLEL SINGLE OR DOUBLE DISC TYPE  
 "K" TYPE OR "V" TYPE OPEN DOUBLE WEDGE DISC  
 RENEWABLE SEAT RINGS  
 FORGED T-HEAD STEM  
 RISING STEM AND NON-RISING HANDWHEEL  
 FLANGED OR BUTTWELDING ENDS  
 AVAILABLE WITH BG OPERATOR  
 CONDUCTION CURRENT OR NO CONDUCTION CURRENT PATTEN



#### Dimensions data

NPS DN	1 25	1¼ 32	1½ 40	2 50	2½ 65	3 80	4 100	6 150	8 200	10 250	12 300	14 350	16 400	18 450	20 500	24 600	28 700	32 800	36 900
-----------	---------	----------	----------	---------	----------	---------	----------	----------	----------	-----------	-----------	-----------	-----------	-----------	-----------	-----------	-----------	-----------	-----------

#### ANSI Class 300Lb

L	165	178	190	216	241	283	305	403	419	457	502	762	838	914	991	1143	1346	1524	1727
L1	165	178	190	216	241	283	305	403	419	457	502	762	838	914	991	1143	1346	1524	1727
L2	-	-	-	-	-	-	150	150	180	180	200	200	218	218	229	248	286	286	-
H	370	385	420	458	555	615	710	900	1135	1401	1580	-	-	-	-	-	-	-	-
H2	260	270	300	325	420	430	500	625	790	1040	1150	-	-	-	-	-	-	-	-
D0	180	180	250	250	300	300	300	350	350	400	450	-	-	-	-	-	-	-	-
B	-	-	-	-	-	-	770	965	1200	1360	1560	1740	1930	2160	2420	2800	3200	3640	4050
B1	-	-	-	-	-	-	650	800	960	1090	1200	1350	1540	1700	1850	2120	2460	2800	3080
B0	-	-	-	-	-	-	310	310	310	310	310	460	460	460	460	460	460	460	600
Geared driving	-	-	-	-	-	-	BA-0	BA-0	BA-0	BA-0	BA-1	BA-1	BA-1	BA-1	BA-2	BA-2	BA-2	BA-2	BA-3
H3	70	80	85	100	106	124	146	206	241	251	281	325	360	400	430	497	560	620	610
H1	90	115	130	137	169	184	1218	311	382	476	545	645	728	800	930	1100	1260	1420	1510

#### ANSI Class 400Lb

L				292	330	356	406	495	597	673	762	826	902	978	1054	1232	1397		
L1				292	330	356	406	495	597	673	762	826	902	978	1054	1232	1397		
H				458	555	615	710	900	1135	1401	1580	-	-	-	-	-	-		
H2				325	420	430	500	625	790	1040	1150	-	-	-	-	-	-		
D0				300	300	350	350	400	500	500	600	-	-	-	-	-	-		
B				305	560	610	770	965	1200	1370	1560	1740	1970	2260	2420	2800	3230		
B1				430	470	510	650	800	960	1090	1200	1350	1540	1700	1850	2120	2460		
B0				310	310	310	310	310	310	460	460	460	460	460	460	600	600		
Geared driving				BA-0	BA-0	BA-0	BA-0	BA-0	BA-0	BA-1	BA-1	BA-1	BA-2	BA-2	BA-2	BA-3	BA-3		
H3				108	125	145	165	220	280	330	380	430	480	530	580	670	770		
H1				158	190	225	255	330	410	490	570	650	735	810	905	1070	1230		