

CAST STEEL DOUBLE DISC METAL SEAL PARALLEL GATE VALVE

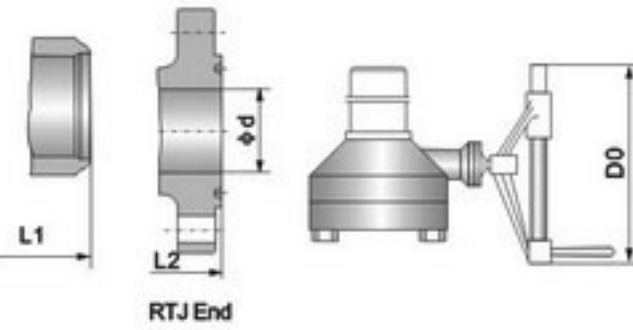
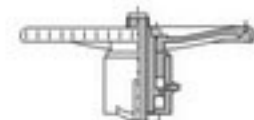
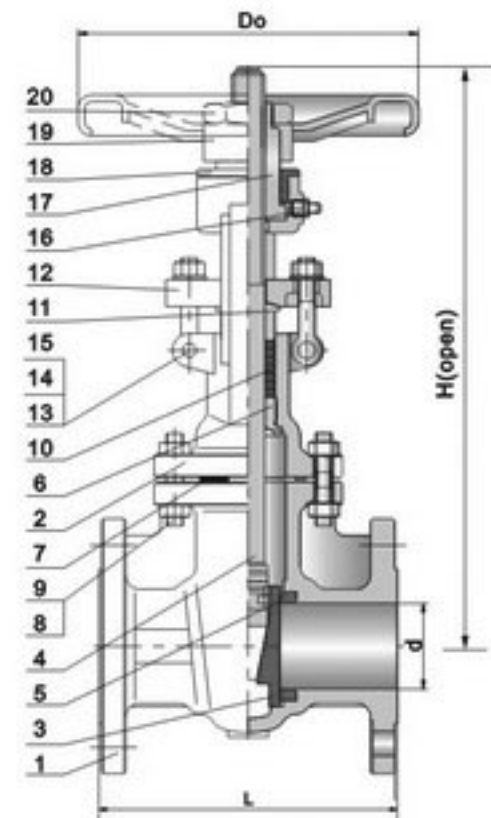
150Lb

Applicable standards:

STEEL GATE VALVES, API 600/API 6D
 STEEL GATE VALVES, ISO 10434/ISO 14313
 STEEL VALVES, ASME B 16.34
 FACE TO FACE, ASME B 16.10
 END FLANGES, ASME B 16.5
 BUTTWELDING ENDS, ASME B 16.25
 INSPECTION AND TEST, API 598/API 6D

Design description:

FULL PORT DESIGN
 OS & Y, OUTSIDE SCREW AND YOKE
 BB, BOLTED BONNET
 "V" WITH LEADING TO DISC
 CHOICE OF SOLID OR SPLIT WEDGE
 RENEWABLE SEAT RINGS
 FORGED T-HEAD STEM
 RISING STEM AND NON-RISING HANDWHEEL
 FLANGED OR BUTTWELDING ENDS
 AVAILABLE WITH BG OPERATOR



Materials of parts

| No | Part Name | ASTM Material | | |
|----|--------------------|-------------------------------|---------------|---------------|
| | | Carbon Steel | 1 1/4Cr-1/2Mo | Carbon Steel |
| 1 | Body | A216-WCB | A217-WC6 | A352-LCB |
| 2 | Bonnet | A216-WCB | A217-WC6 | A352-LCB |
| 3 | Wedge | A216-WCB+CR13 | A217-WC6+HF | A352-LCB+CR13 |
| 4 | Stem | A182-F6a | CR-MO-V | A182-F6a |
| 5 | Seat Ring | A105+CR13 | A182-F11+HF | A350-LF2+CR13 |
| 6 | Stem Back Seat | A276-420 | A276-304 | A276-420 |
| 7 | Bonnet Gasket | Spiral Wound (Graphite+304) | | |
| 8 | Bonnet Stud | A193-B7 | A193-B16 | A320-L7 |
| 9 | Bonnet Stud Nut | A194-2H | A194-7 | A194-4 |
| 10 | Packing | Graphite | | |
| 11 | Gland | A276-420 | A276-304 | A276-420 |
| 12 | Gland Flange | A216-WCB | A217-WC6 | A352-LCB |
| 13 | Eyebolt Pin | Carbon Steel | A276-420 | Carbon Steel |
| 14 | Eyebolt | Carbon Steel | A193-B7 | Carbon Steel |
| 15 | Eyebolt Nut | Carbon Steel | A194-2H | Carbon Steel |
| 16 | Grease Fitting | Brass+Steel | | |
| 17 | Yokesleeve | Aluminum-Bronze ¹⁾ | | |
| 18 | Yokesleeve Jam Nut | Carbon Steel | | |
| 19 | Handwheel | Malleable Iron | | |
| 20 | Handwheel Nut | Carbon Steel | | |

Note: 1). Ductile Ni-Resist optional

2). Wedge and seat ring may either be solid facing material or a base material equal to or better than the body/bonnet material with facing as shown.

Dimensions data

| NPS | 2 | 2 1/2 | 3 | 4 | 6 | 8 | 10 | 12 | 14 | 16 | 18 | 20 | 24 | 26 | 28 | 30 | 32 | 36 | 40 | 42 | 48 | in |
|-----|----|-------|----|-----|-----|-----|-----|-----|-----|-----|-----|-----|-----|-----|-----|-----|-----|-----|------|------|------|----|
| DN | 50 | 65 | 80 | 100 | 150 | 200 | 250 | 300 | 350 | 400 | 450 | 500 | 600 | 650 | 700 | 750 | 800 | 900 | 1000 | 1050 | 1200 | mm |

ANSI Class 150Lb

| | | | | | | | | | | | | | | | | | | | | | | |
|----------|-------|-------|-------|-------|-------|-------|-------|-------|-------|-------|-------|-------|-------|--------|--------|--------|--------|--------|--------|--------|--------|----|
| L (RF) | 7.00 | 7.50 | 8.00 | 9.00 | 10.50 | 11.50 | 13.00 | 14.00 | 15.00 | 16.00 | 17.00 | 18.00 | 20.00 | 22.00 | 24.00 | 24.00 | 28.00 | 28.00 | 32.00 | 32.00 | 42.00 | in |
| | 178 | 191 | 203 | 229 | 267 | 292 | 330 | 356 | 381 | 406 | 432 | 457 | 508 | 559 | 610 | 610 | 711 | 711 | 813 | 813 | 1067 | mm |
| L1 (BW) | 8.5 | 9.50 | 11.12 | 12.00 | 15.88 | 16.50 | 18.00 | 19.75 | 22.50 | 24.00 | 26.00 | 28.00 | 32.00 | 34.00 | 36.00 | 36.00 | 38.00 | 40.00 | 42.00 | 45.00 | 53.97 | in |
| | 216 | 241 | 283 | 305 | 403 | 419 | 457 | 502 | 572 | 610 | 660 | 711 | 813 | 864 | 914 | 914 | 965 | 1016 | 1067 | 1143 | 1371 | mm |
| L2 (RTJ) | 7.48 | 7.99 | 8.50 | 9.48 | 10.98 | 12.00 | 13.50 | 14.48 | 15.51 | 16.49 | 17.51 | 18.50 | 20.51 | - | - | 24.48 | - | 28.50 | - | - | - | in |
| | 190 | 203 | 216 | 241 | 279 | 305 | 343 | 368 | 394 | 419 | 445 | 470 | 521 | - | - | 622 | - | 724 | - | - | - | mm |
| H (OPEN) | 15.25 | 17.00 | 18.88 | 23.00 | 30.50 | 37.62 | 45.50 | 53.12 | 59.38 | 67.00 | 74.50 | 83.50 | 98.25 | 110.50 | 116.50 | 124.00 | 129.00 | 146.50 | 130.00 | 136.96 | 161.70 | in |
| | 386 | 434 | 480 | 584 | 765 | 956 | 1149 | 1350 | 1508 | 1703 | 1892 | 2119 | 2500 | 2806 | 2960 | 3150 | 3280 | 3720 | 3302 | 3479 | 3962 | mm |
| (d) | 50 | 63 | 76 | 100 | 150 | 200 | 250 | 300 | 336 | 387 | 438 | 488 | 590 | 641 | 692 | 743 | 781 | 876 | - | - | - | mm |
| D0 | 8 | 8 | 10 | 12 | 12 | 14 | 16 | 18 | 20 | 22 | 24 | 26 | 29 | 29 | 32 | 32 | 38 | 40 | 40.15 | 40.15 | 40.15 | in |
| | 200 | 200 | 250 | 300 | 300 | 350 | 400 | 450 | 500 | 550 | 600 | 640 | 720 | 720 | 800 | 800 | 950 | 1000 | 1020 | 1020 | 1020 | mm |
| WT (kg) | 18 | 25 | 32 | 50 | 77 | 121 | 178 | 265 | 363 | 463 | 621 | 792 | 1190 | 1521 | 1838 | 2261 | 2490 | 3310 | 4650 | 5100 | 6500 | RF |
| | 15 | 18 | 26 | 41 | 69 | 108 | 156 | 248 | 330 | 424 | 587 | 752 | 1144 | 1570 | 1900 | 3310 | 2540 | 3380 | - | - | - | BW |
| Toqure | 13 | 13 | 15 | 27 | 36 | 63 | 84 | 131 | 151 | 235 | 285 | 341 | 602 | - | - | 1079 | - | 1497 | - | - | - | mm |