

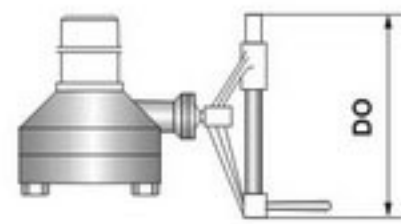
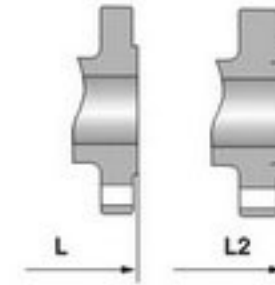
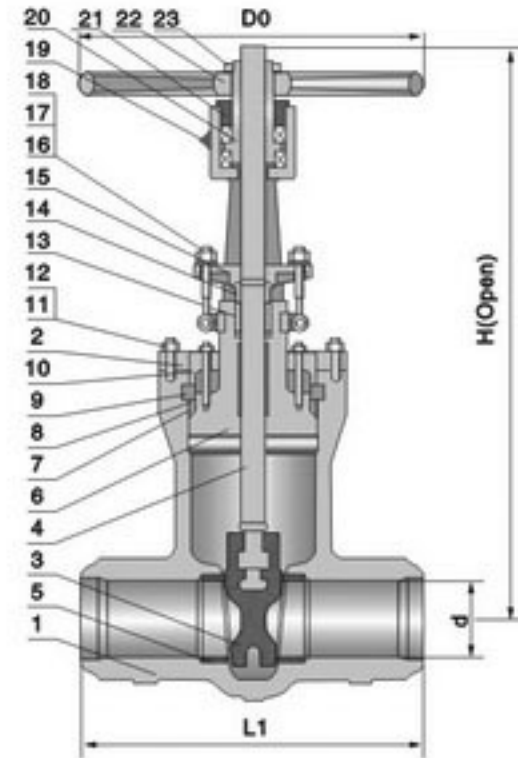
PRESSURE SEAL CAST STEEL GATE VALVE 900lb

Applicable standards:

STEEL GATE VALVES, API 600/API 6D
STEEL GATE VALVES, ISO 10434/ISO 14313
STEEL VALVES, ASME B 16.34
FACE TO FACE, ASME B 16.10
END FLANGES, ASME B 16.5
BUTTWELDING ENDS, ASME B 16.25
INSPECTION AND TEST, API 598/API 6D

Design description:

PSB, PRESSURE SEAL BONNET
FLEXIBLE WEDGE, FULLY GUIDED
CHOICE OF SOLID OR SPLIT WEDGE
RENEWABLE SEAT RINGS
FORGED T-HEAD STEM
RISING STEM AND NON-RISING HANDWHEEL
FLANGED OR BUTTWELDING ENDS
AVAILABLE WITH BG OPERATOR



Materials of parts

No	Part Name	Carbon Steel	ASTM Material 1 1/4Cr-1/2Mo	18Cr-9Ni-2Mo
1	Body	A216-WCB	A217-WC6	A351-CF8M
2	Yoke	A216-WCB	A217-WC6	A351-CF8M
3	Wedge	A216-WCB+HF	A217-WC6+HF	A351-CF8M+HF
4	Stem	A182-F6a	CR-MO-V	A182-316
5	Seat Ring	A105+HF	A182-F11+HF	A240-316+HF
6	Bonnet	A105	A182-F11	A240-316
7	Bonnet Gasket ¹⁾		304+Graphite	
8	Adapter Ring	Carbon Steel	A276-420	A276-316
9	Retainer	Carbon Steel	A276-420	A276-316
10	Yake Cap	Carbon Steel	Alloy Steel	Stainless Steel
11	Bonnet Stud	A193-B7	A193-B16	A193-B8M
12	Bonnet Stud Nut	A194-2H	A194-7	A194-8M
13	Packing		Graphite	
14	Gland	A276-420	A276-304	A276-316L
15	Gland Flange	A216-WCB	A217-WC6	A351-CF8M
16	Eyebolt Pin	Carbon Steel	A276-420	A276-316
17	Eyebolt	Carbon Steel	A193-B7	A193-B8
18	Eyebolt Nut	Carbon Steel	A194-2H	A194-8
19	Grease Fitting		Brass+Steel	
20	Yokesleeve		Aluminum-Bronze ²⁾	
21	Yokesleeve Jam Nut		Carbon Steel	
22	Handwheel		Malleable Iron	
23	Handwheel Nut		Carbon Steel	

Note: 1). Graphite optional
2). Ductile Ni-Resist optional
3). Wedge and seat ring may either be solid facing material or a base material equal to or better than the body/bonnet material with facing as shown.

Dimensions data

NPS	2	2 1/2	3	4	6	8	10	12	14	16	18	20	24	26	28	32	34	36	in
DN	50	65	80	100	150	200	250	300	350	400	450	500	600	650	700	800	850	900	mm
ANSI Class 900Lb																			
L1 (BW)	8.50	10.00	12.00	14.00	20.00	26.00	31.00	36.00	39.00	43.00	47.99	52.00	60.98	61.96	65.47	70.00	72.99	80.00	in
	216	254	305	356	508	660	787	914	991	1092	1219	1321	1549	1574	1663	1778	1854	2032	mm
L (RF)	14.50	16.50	15.00	18.00	24.00	29.00	33.00	38.00	40.50	44.50	47.99	52.00	60.98	61.96	65.47	70.00	72.99	80.00	in
	368	419	381	457	610	737	838	965	1029	1130	1219	1321	1549	1574	1663	1778	1854	2032	mm
L2 (RTJ)	14.62	16.62	15.12	18.12	24.12	29.12	33.12	38.12	40.88	44.88	48.50	52.51	61.73	-	-	-	-	-	in
	371	422	384	460	613	740	841	968	1038	1140	1232	1334	1568	-	-	-	-	-	mm
H (OPEN)	17.62	17.62	19.5	22.88	32.62	67.62	45.5	53.12	59	70.5	93.74	96.49	116.96	131.96	145.47	157.48	163.97	180.98	in
	448	448	495	580	830	955	1155	1350	1500	1790	2381	2451	2971	3352	3695	4000	4165	4597	mm
D0	14	14	14	14	18	24	28	34	34	34	29.92	29.92	35.43	35.43	35.43	35.43	35.43	35.43	in
	350	350	350	350	450	600	700	850	850	850	760	760	900	900	900	900	900	900	mm
WT (kg)	39	39	48	69	158	289	482	710	998	1390	2340	2800	3420	4270	5454	7392	9042	10874	BW
	69	69	72	110	253	430	710	1025	1452	1960	2750	3400	4400	5500	6900	9000	11000	13500	RF/RT