

CAST STEEL GATE VALVE

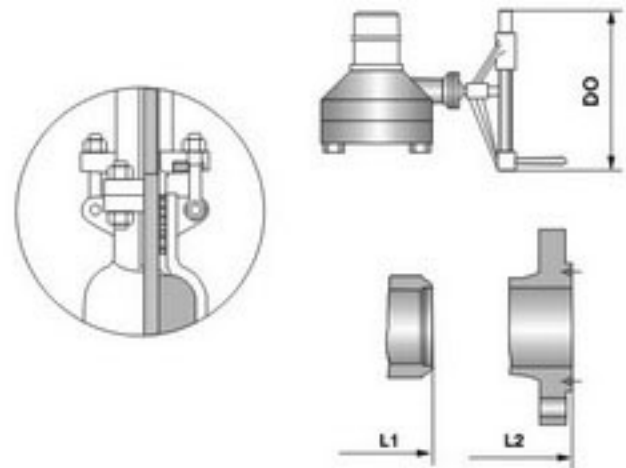
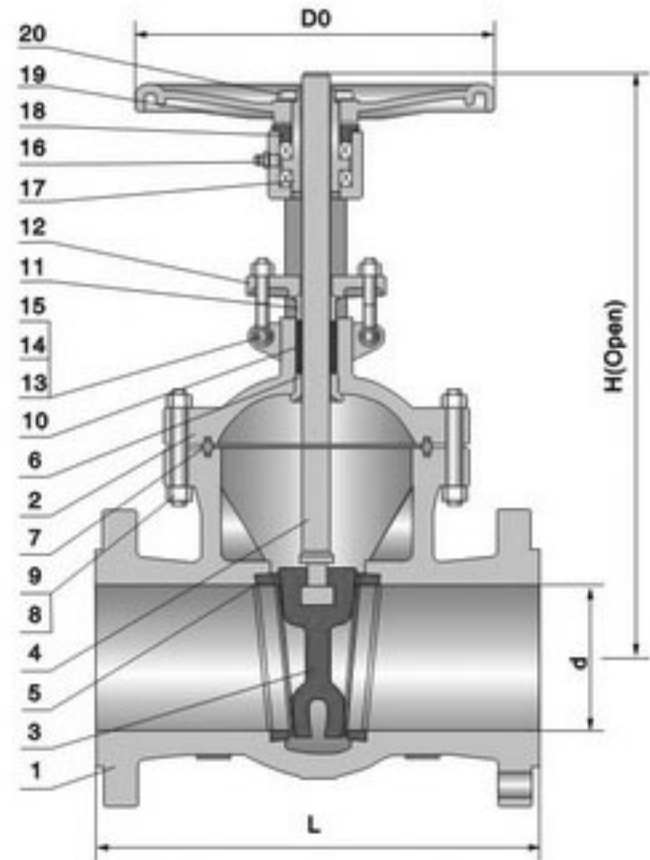
1500Lb

Applicable standards:

STEEL GATE VALVES, API 600/API 6D
 STEEL GATE VALVES, ISO 10434/ISO 14313
 STEEL VALVES, ASME B 16.34
 FACE TO FACE, ASME B 16.10
 END FLANGES, ASME B 16.5
 BUTTWELDING ENDS, ASME B 16.25
 INSPECTION AND TEST, API 598/API 6D

Design description:

FULL PORT DESIGN
 OS & Y, OUTSIDE SCREW AND YOKE
 BB, BOLTED BONNET
 FLEXIBLE WEDGE, FULLY GUIDED
 CHOICE OF SOLID OR SPLIT WEDGE
 RENEWABLE SEAT RINGS
 FORGED T-HEAD STEM
 RISING STEM AND NON-RISING HANDWHEEL
 FLANGED OR BUTTWELDING ENDS
 AVAILABLE WITH BG OPERATOR



Materials of parts

No	Part Name	ASTM Material		
		Carbon Steel	1 ¹ / ₄ Cr-1 ¹ / ₂ Mo	Carbon Steel
1	Body	A216-WCB	A217-WC6	A352-LCB
2	Bonnet	A216-WCB	A217-WC6	A352-LCB
3	Wedge	A216-WCB+CR13	A217-WC6+HF	A352-LCB+CR13
4	Stem	A182-F6a	CR-MO-V	A182-F6a
5	Seat Ring	A105+CR13	A182-F11+HF	A350-LF2+CR13
6	Stem Back Seat	A276-420	A276-304	A276-420
7	Bonnet Gasket	Steel Ring	304SS Ring	Steel Ring
8	Bonnet Stud	A193-B7	A193-B16	A320-L7
9	Bonnet Stud Nut	A194-2H	A194-7	A194-4
10	Packing	Graphite		
11	Gland	A276-420	A276-304	A276-420
12	Gland Flange	A216-WCB	A217-WC6	A352-LCB
13	Eyebolt Pin	Carbon Steel	A276-420	Carbon Steel
14	Eyebolt	Carbon Steel	A193-B7	Carbon Steel
15	Eyebolt Nut	Carbon Steel	A194-2H	Carbon Steel
16	Grease Fitting	Brass+Steel		
17	Yokesleeve	Aluminum-Bronze ¹⁾		
18	Yokesleeve Jam Nut	Carbon Steel		
19	Handwheel	Malleable Iron		
20	Handwheel Nut	Carbon Steel		

Note:1).Ductile Ni-Resist optional

2).Wedge and seat ring may either be solid facing material or a base material equal to or better than the body/bonnet material with facing as shown.

Dimensions data

NPS	2	2 ¹ / ₂	3	4	6	8	10	12	14	16	18	20	24	in
DN	50	65	80	100	150	200	250	300	350	400	450	500	600	mm

ANSI Class 1500Lb

L/L1 (RF/BW)	14.50	16.50	18.50	21.50	27.75	32.75	39.00	44.50	49.50	54.50	60.50	65.50	76.50	in
	368	419	470	546	705	832	991	1130	1257	1384	1537	1664	1943	mm
L2 (RTJ)	15.50	16.62	18.62	21.62	28.00	33.12	39.38	45.12	50.25	55.38	61.38	66.38	77.62	in
	371	422	473	549	711	841	1000	1146	1276	1407	1559	1686	1972	mm
H (OPEN)	24.25	26.00	30.00	34.12	39.50	45.00	54.00	61.00	74.88	80.50	93.75	101.50	114.75	in
	615	658	760	868	1005	1145	1370	1550	1900	2050	2380	2580	2915	mm
(d)	47	57	69	92	136	177	222	263	288	330	371	415	498	mm
D0	10	12	18	20	24	18	18	24	24	24	24	24	24	in
	250	300	450	500	600	460	460	600	600	600	600	600	600	mm
WT (kg)	116	166	209	296	510	920	1910	3145	4100	6200	8965	13100	15860	RF/RTJ
	105	150	188	265	412	760	1640	2755	3200	5300	8070	11790	14275	BW
Toqure	54	76	108	167	426	801	1268	2078	2392	-	-	-	-	mm